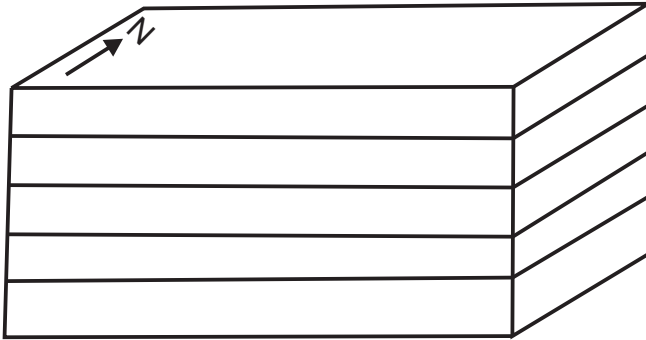


GEOLOGIC TIME SCALE					
Time Units of the Geologic Time Scale				Development of Plants and Animals	
Eon	Era	Period	Epoch		
Phanerozoic	Cenozoic	Quaternary	Holocene	Earliest <i>Homo sapiens</i>  Earliest hominids  "Age of Mammals"  Extinction of dinosaurs and many other species	
			Pleistocene		0.01-1.6
		Tertiary	Pliocene		1.6-5.3
			Miocene		5.3-23.8
			Oligocene		23.8-33.7
			Eocene		33.7-55
			Palaeocene		55-65
	Mesozoic	Cretaceous	145-208	"Age of Reptiles"  First flowering plants First birds Dinosaurs dominant First mammals	
		Jurassic	208-248		
		Triassic	248-286		
	Palaeozoic	Carboniferous	Permian	"Age of Amphibians"  Extinction of trilobites and many other marine animals  First reptiles Large coal swamps Amphibians abundant  "Age of Fishes"  First amphibians First insect fossils Fishes dominant  "Age of Invertebrates"  First land plants First fishes Trilobites dominant First organisms with shells Abundant Ediacaran faunas	
			Pennsylvanian		286-320
			Mississippian		320-360
		Devonian	410-438		
			Silurian		438-505
			Ordovician		505-545
			Cambrian		545-650
Vendian			650-650		
Proterozoic	Archean Hadean	Collectively called Precambrian  comprises about 87% of the geological time scale		First multicelled organisms  First one-celled organisms Age of oldest rocks  Origin of the earth	
2500					
3800					
		4600 Ma			

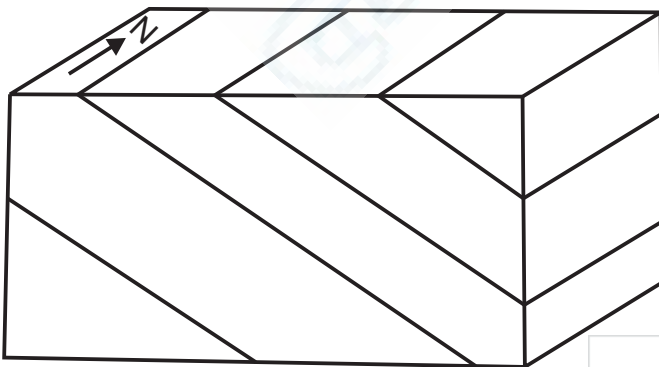
Describe the Geological Time Scale with the development of life in the Earth.



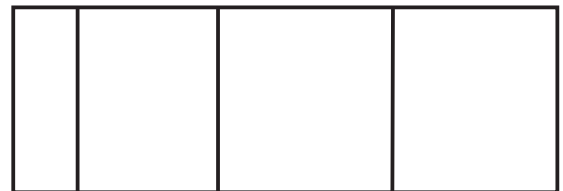
Block 1



Plan View

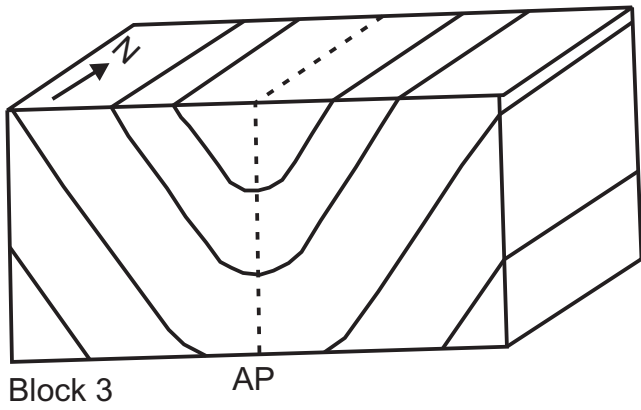


Block 2

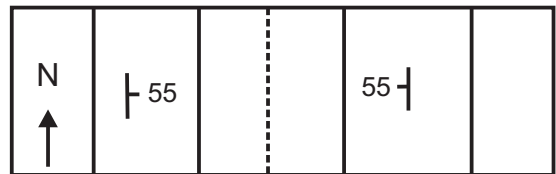
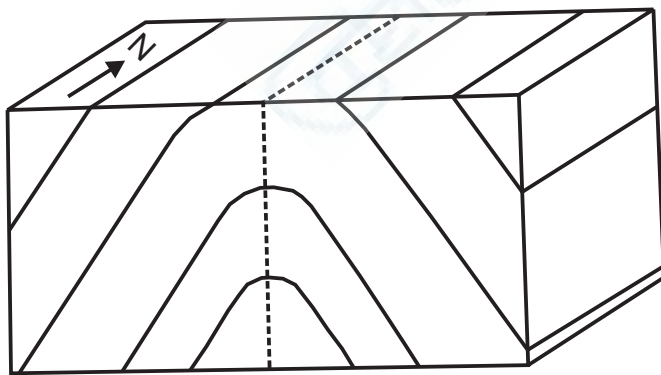


Plan View



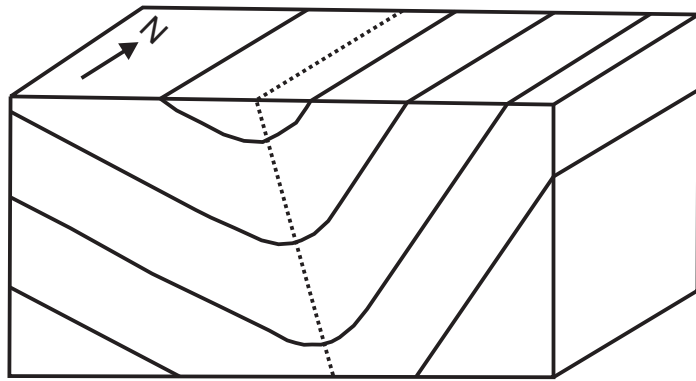


Plan View



Plan View

Block 4 AP

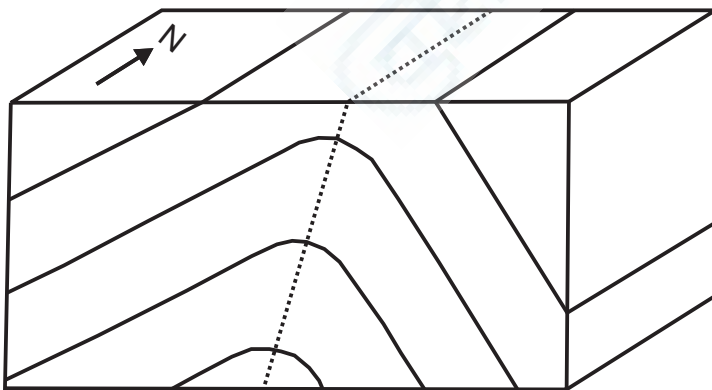


Block 5

AP

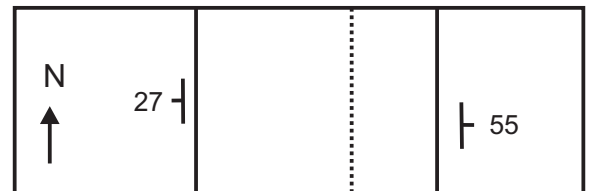


Plan View

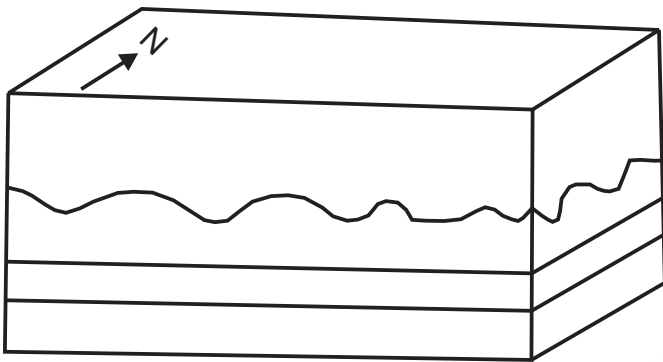


Block 6

AP



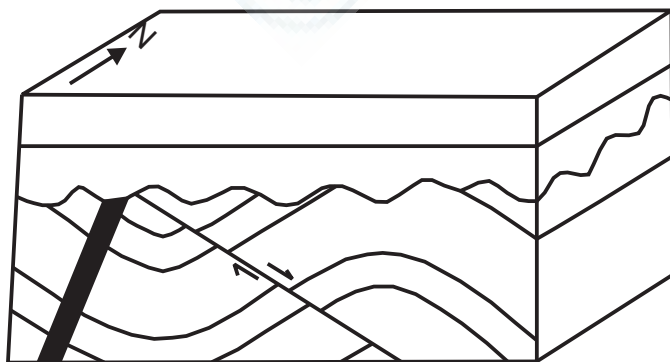
Plan View



Block 9



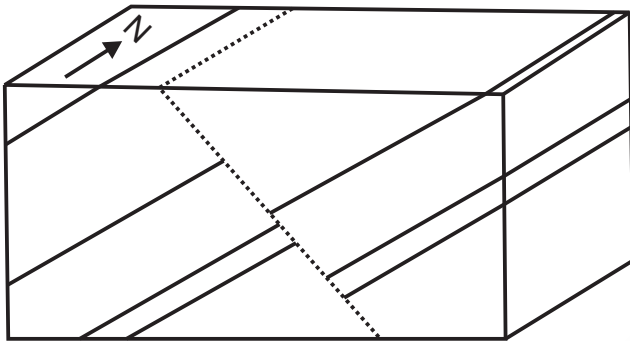
Plan View



Block 10



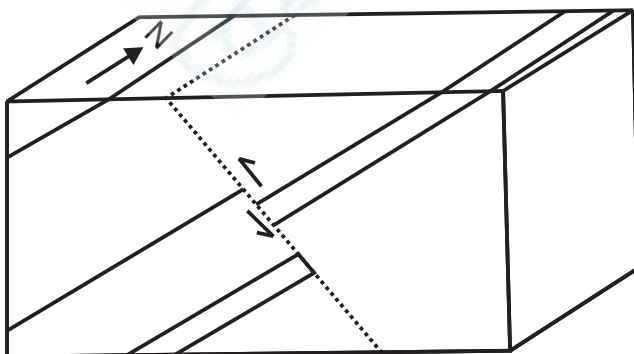
Plan View



Block 7



Plan View



Block 8



Plan View