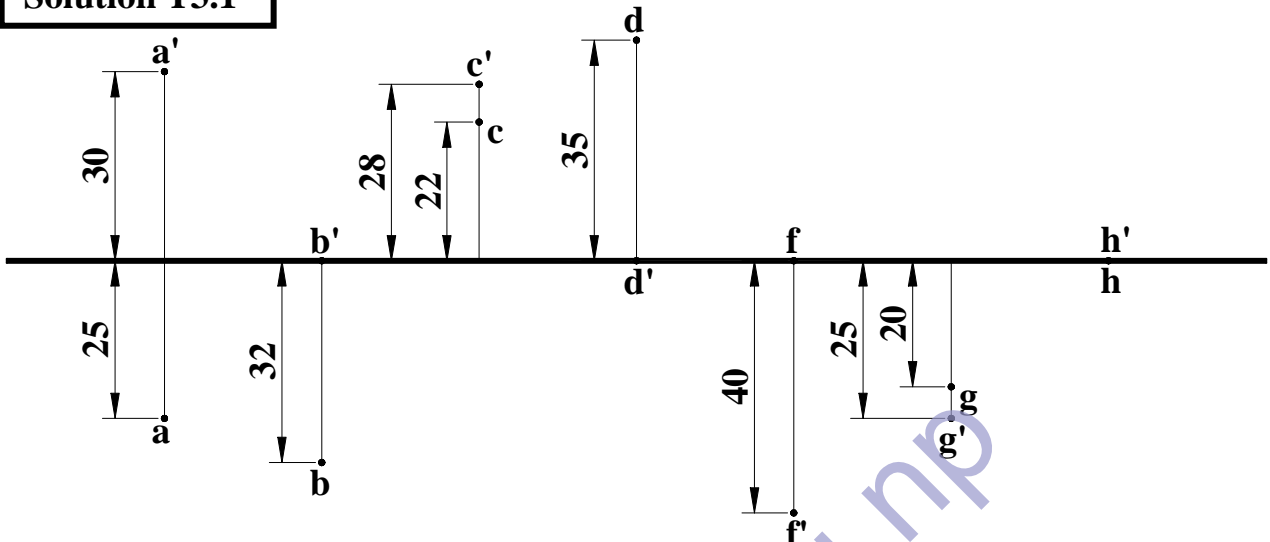


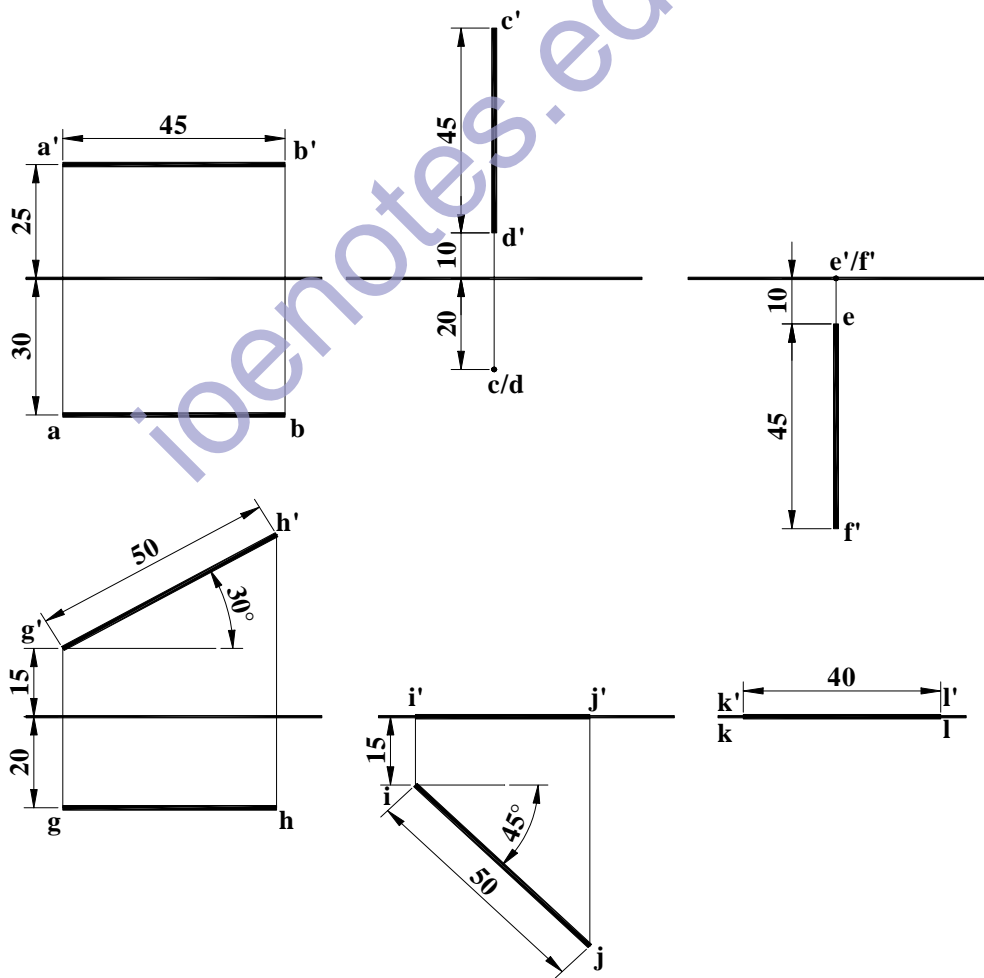
ENGINEERING DRAWING I

SOLUTION FOR TUTORIAL NO. 3

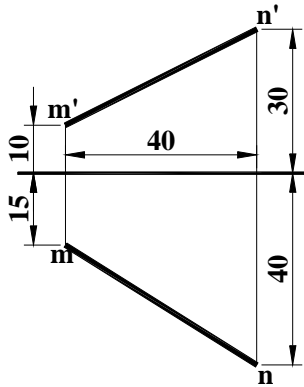
Solution T3.1



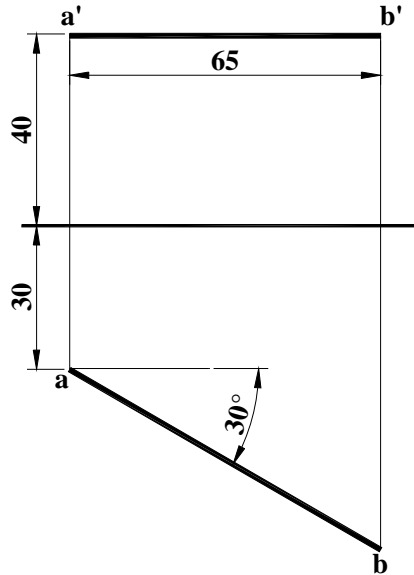
Solution T3.2



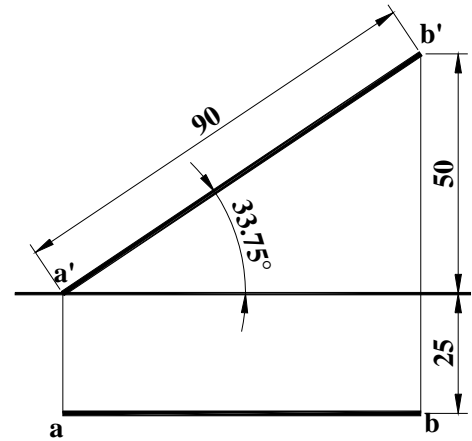
Solution T3.3



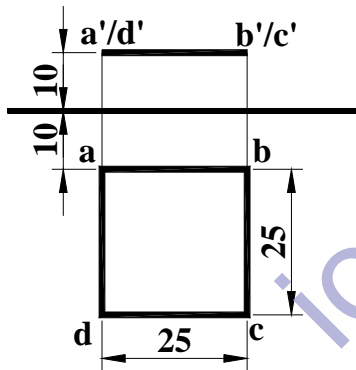
Solution T3.4



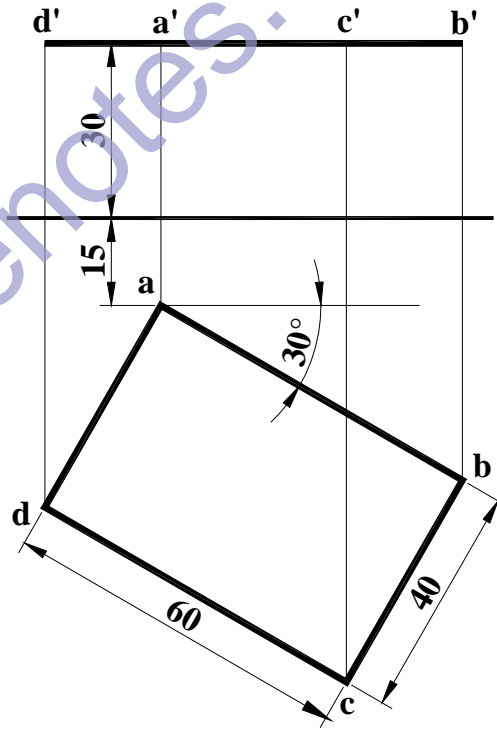
Solution T3.5



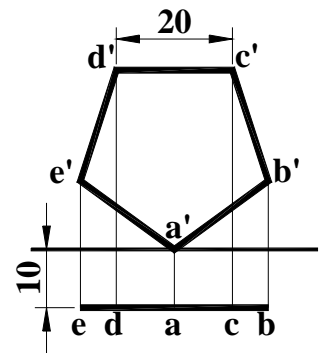
Solution T3.6



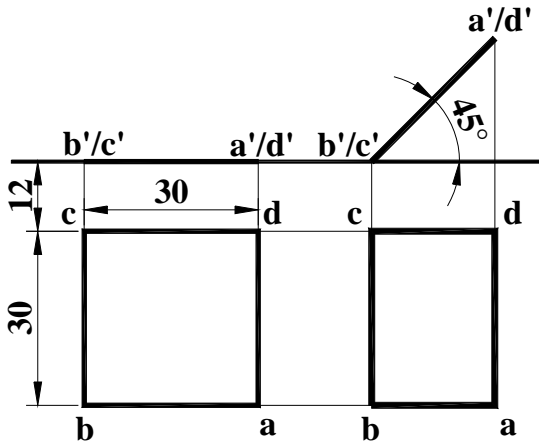
Solution T3.7



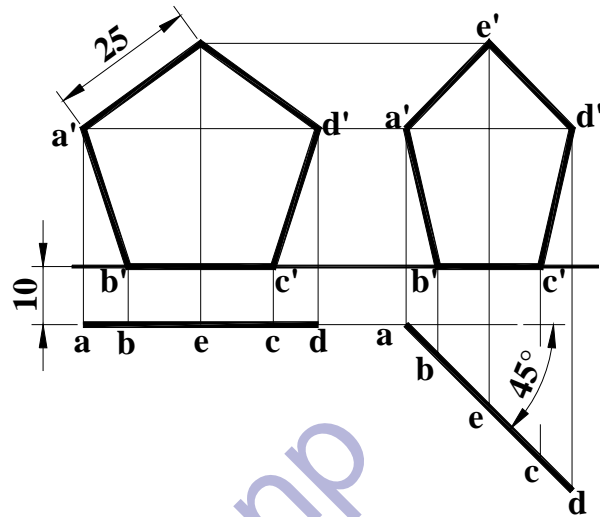
Solution T3.8



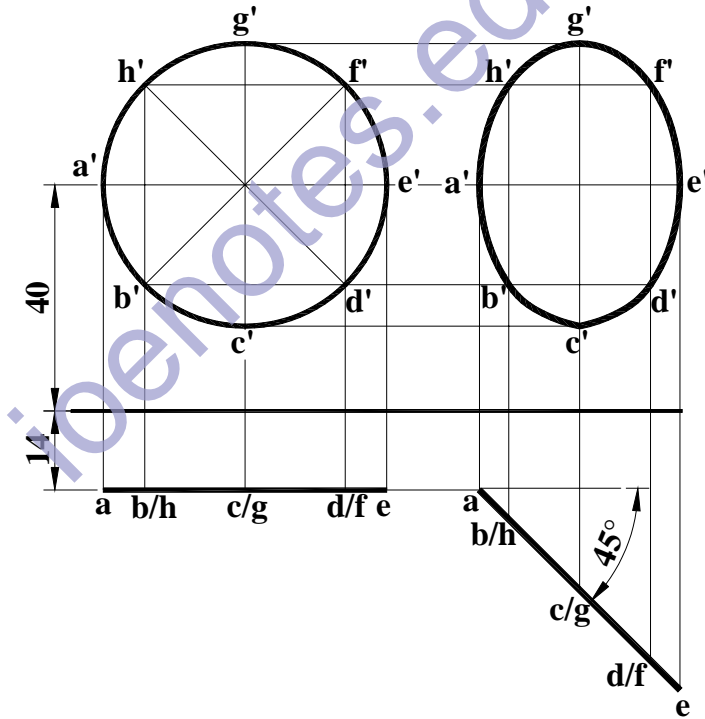
Solution T3.9



Solution T3.10

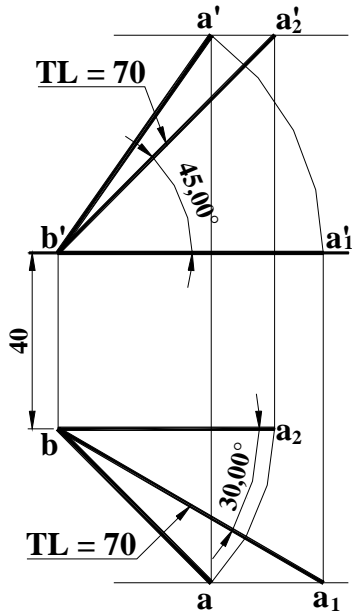


Solution T3.11

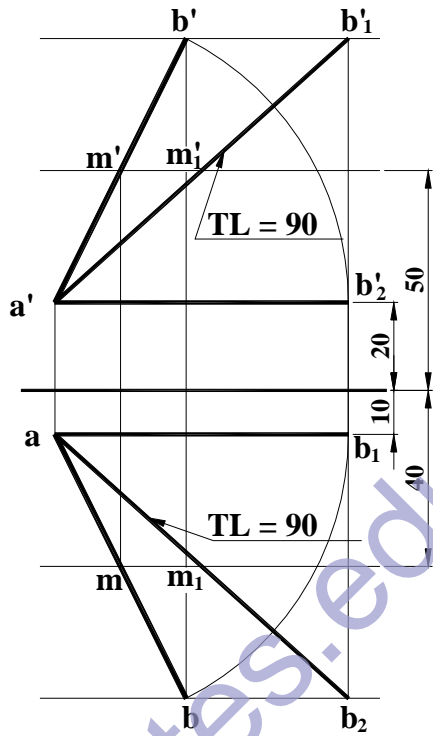


ENGINEERING DRAWING I
SOLUTION FOR TUTORIAL NO. 4

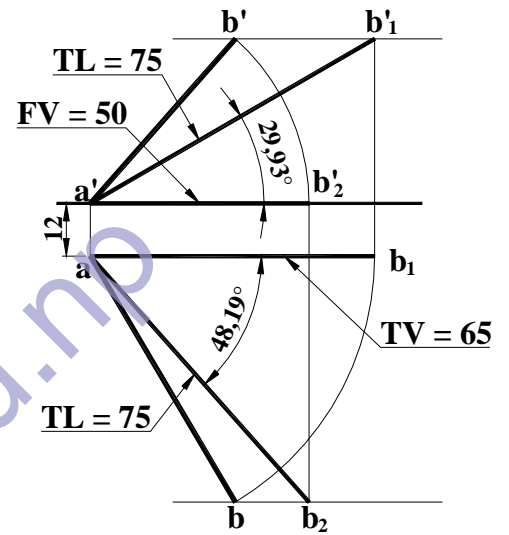
Solution T4.1



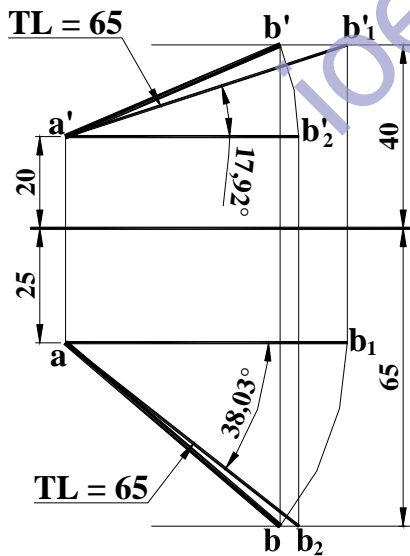
Solution T4.2



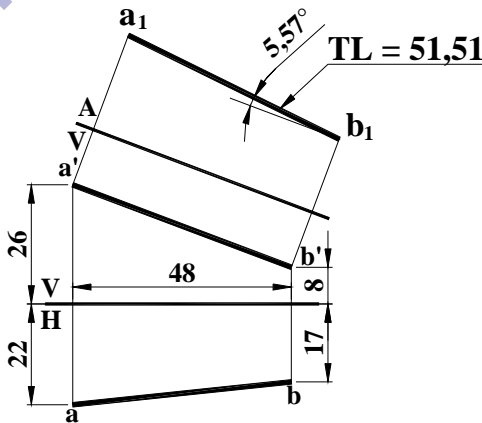
Solution T4.3



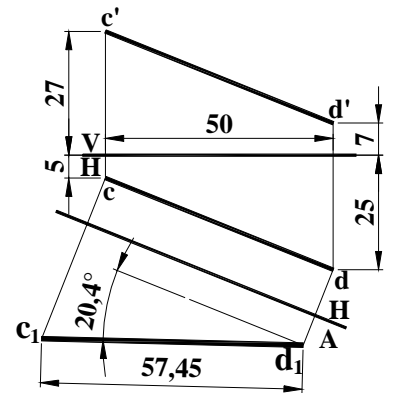
Solution T4.4



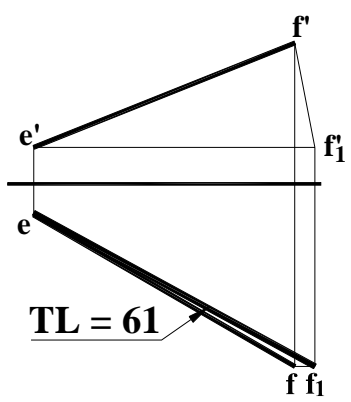
Solution T4.5(a)



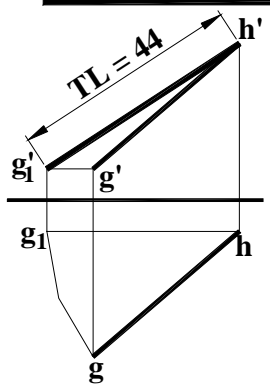
Solution T4.5(b)



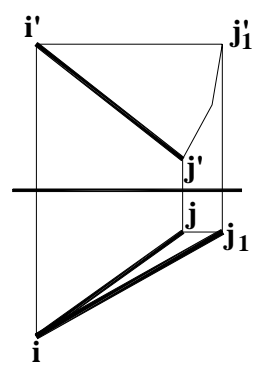
Solution T4.6(a)



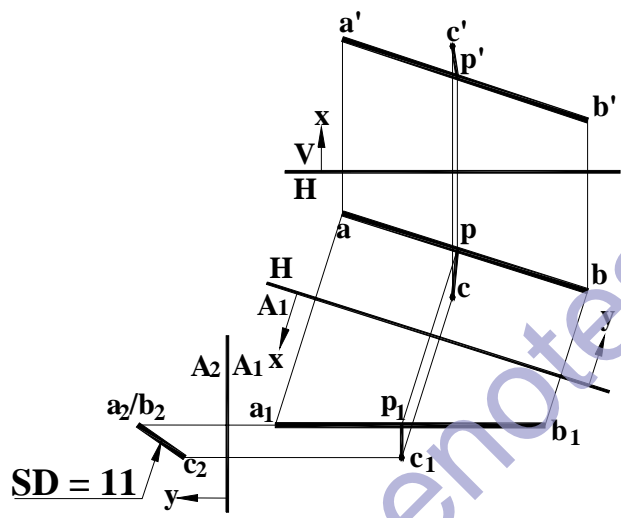
Solution T4.6(b)



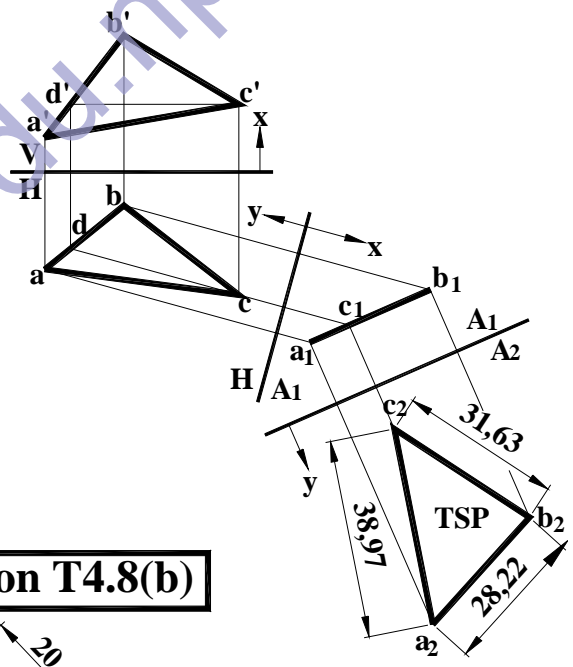
Solution T4.6(c)



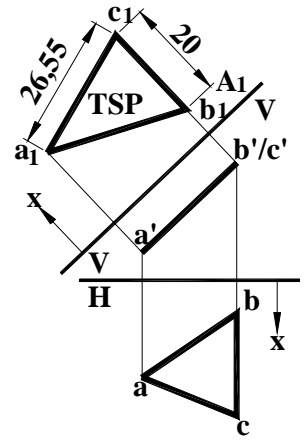
Solution T4.7



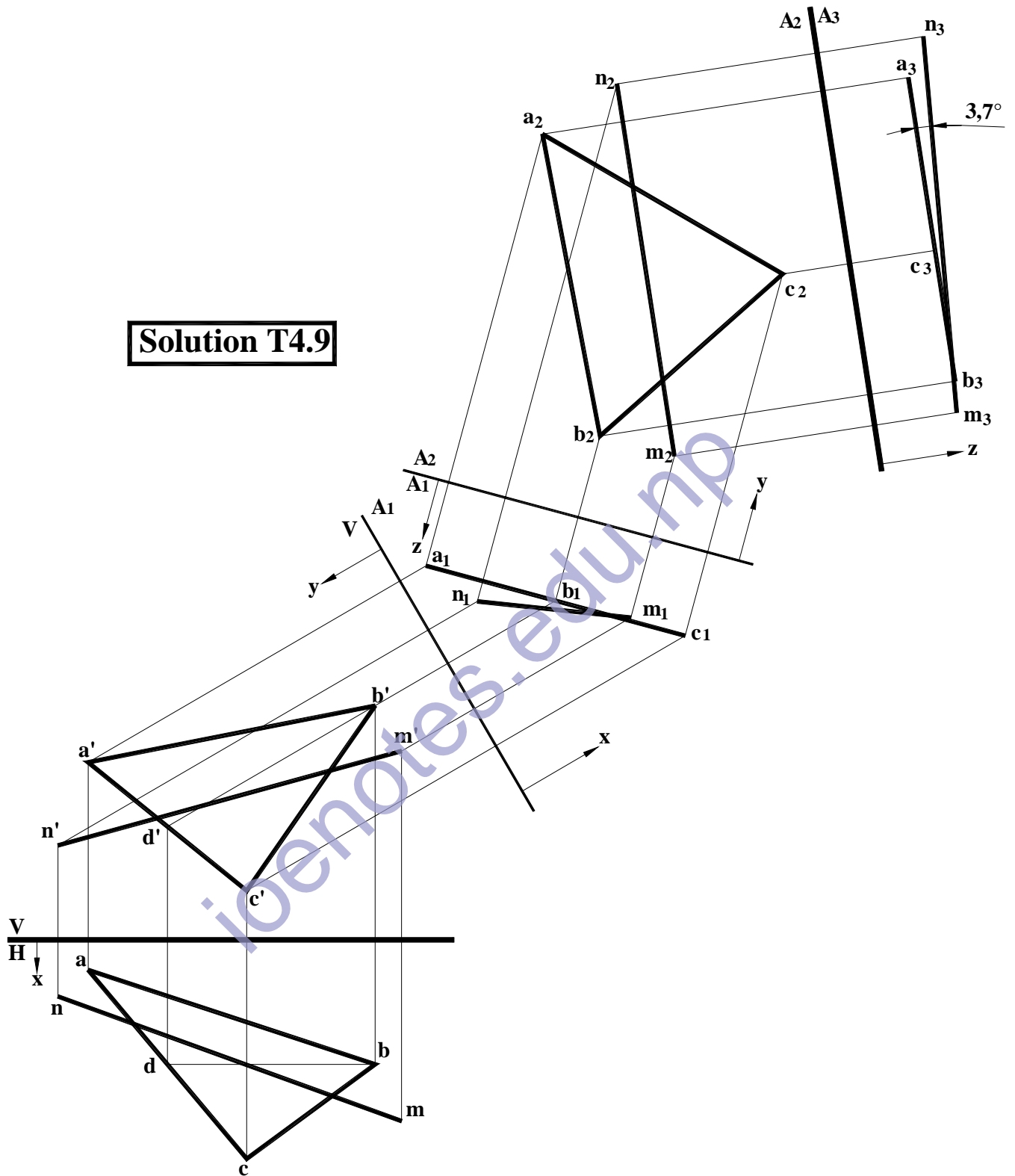
Solution T4.8(a)



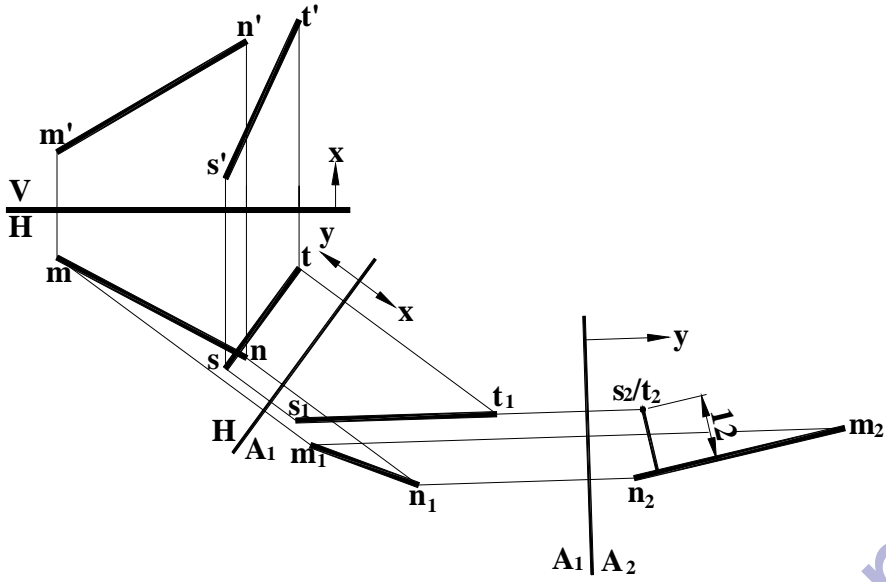
Solution T4.8(b)



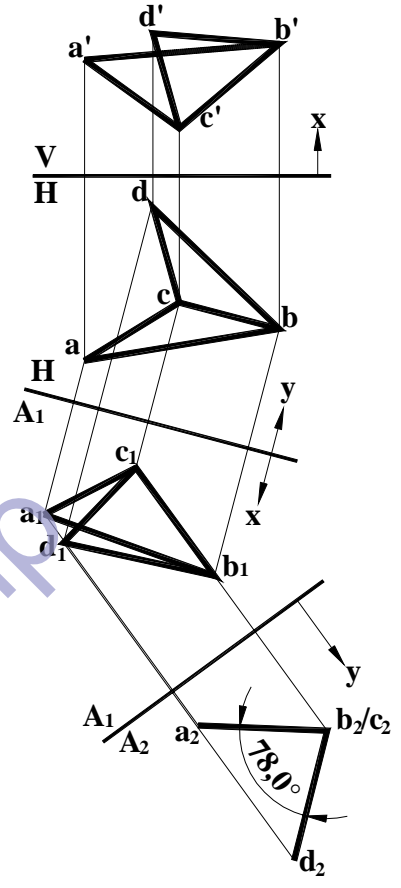
Solution T4.9



Solution T4.10

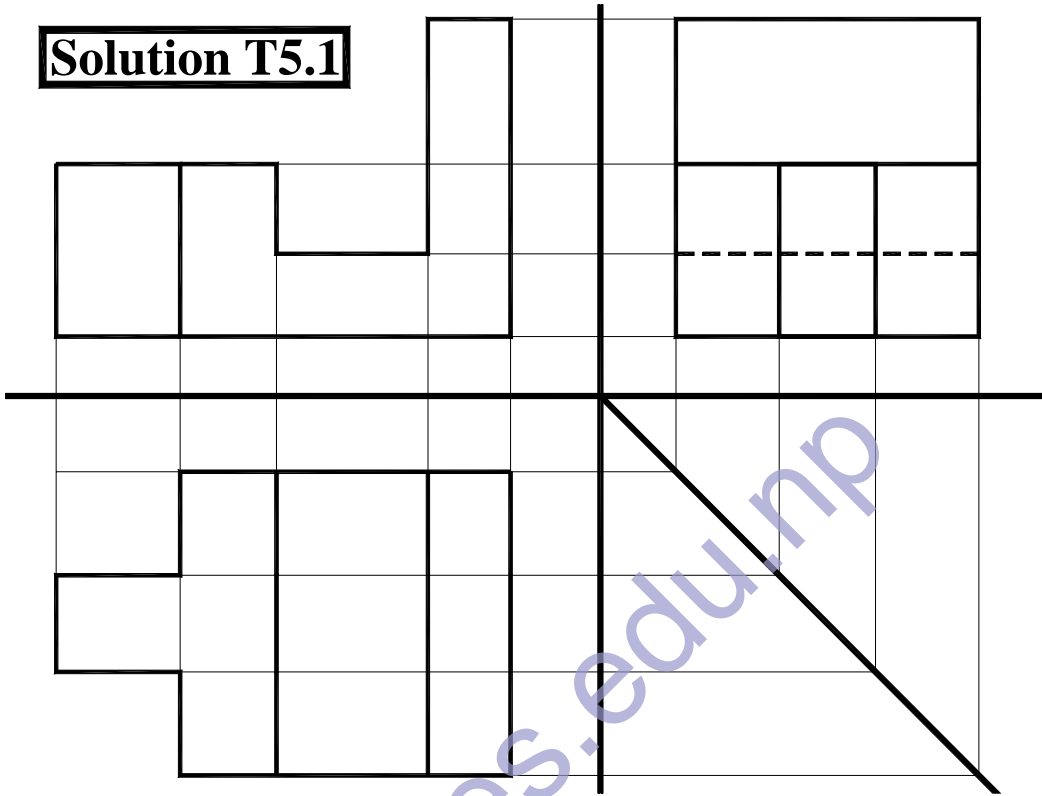


Solution T4.11

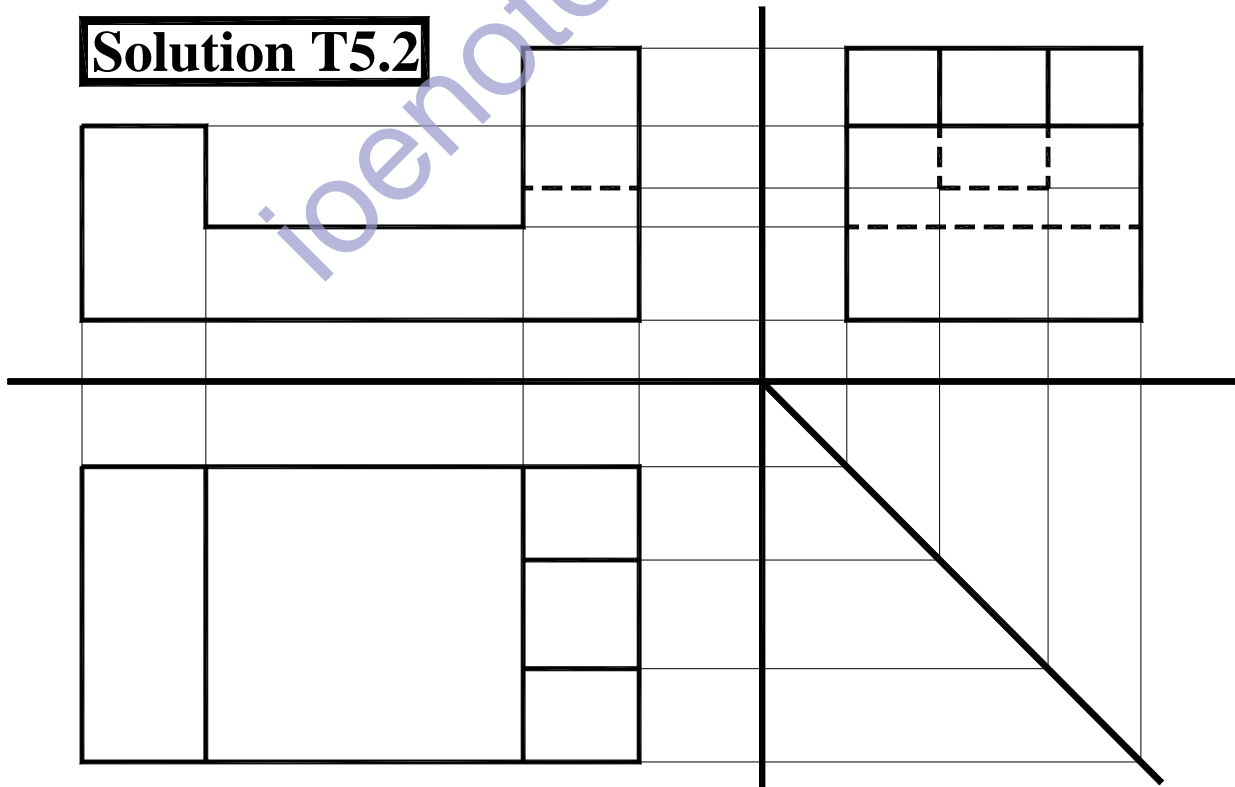


ENGINEERING DRAWING I
SOLUTION FOR TUTORIAL NO. 5

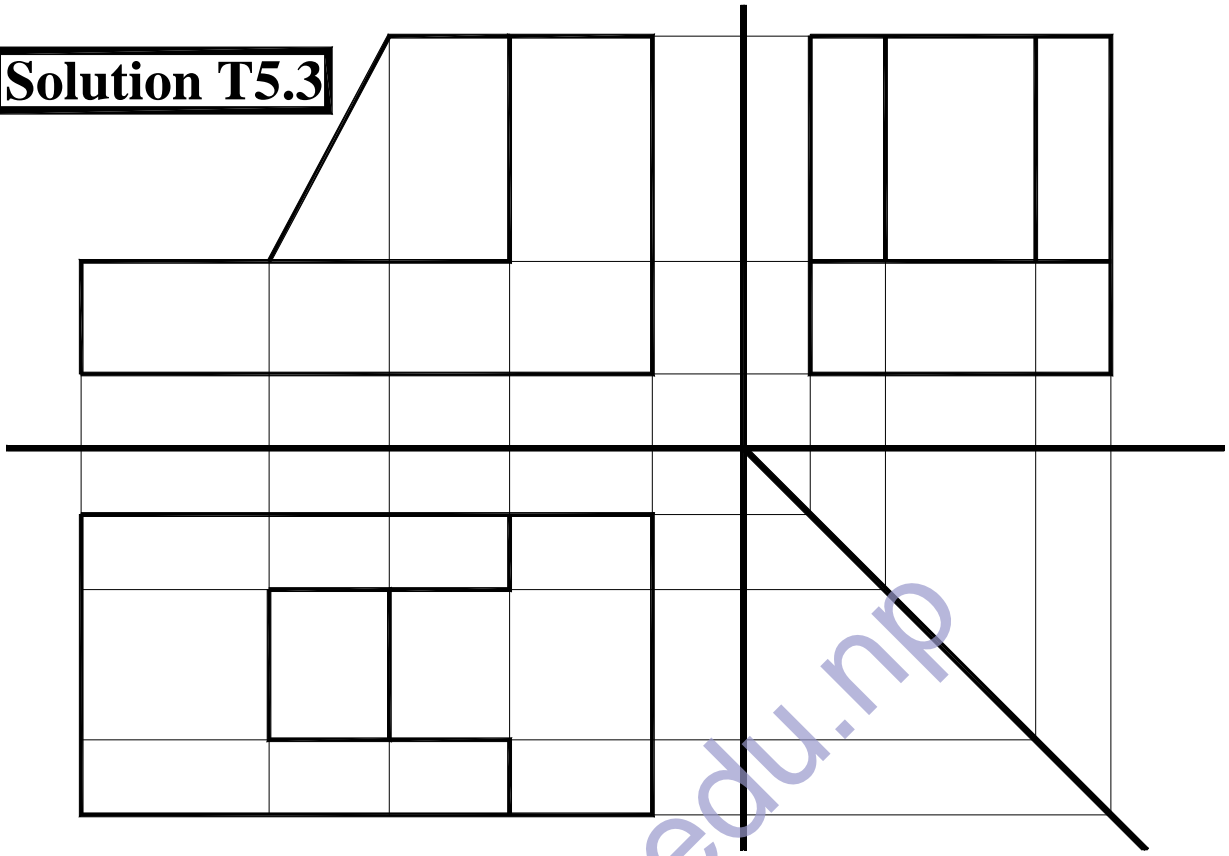
Solution T5.1



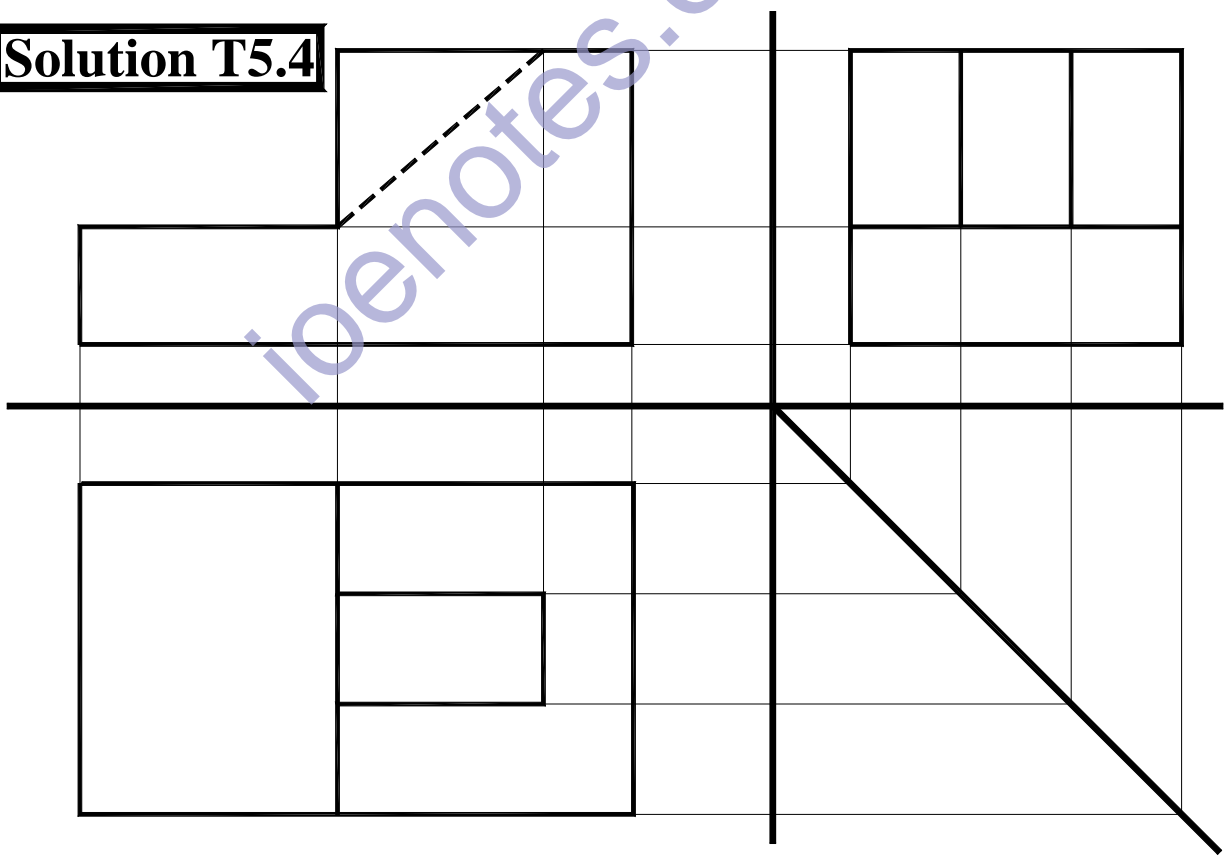
Solution T5.2



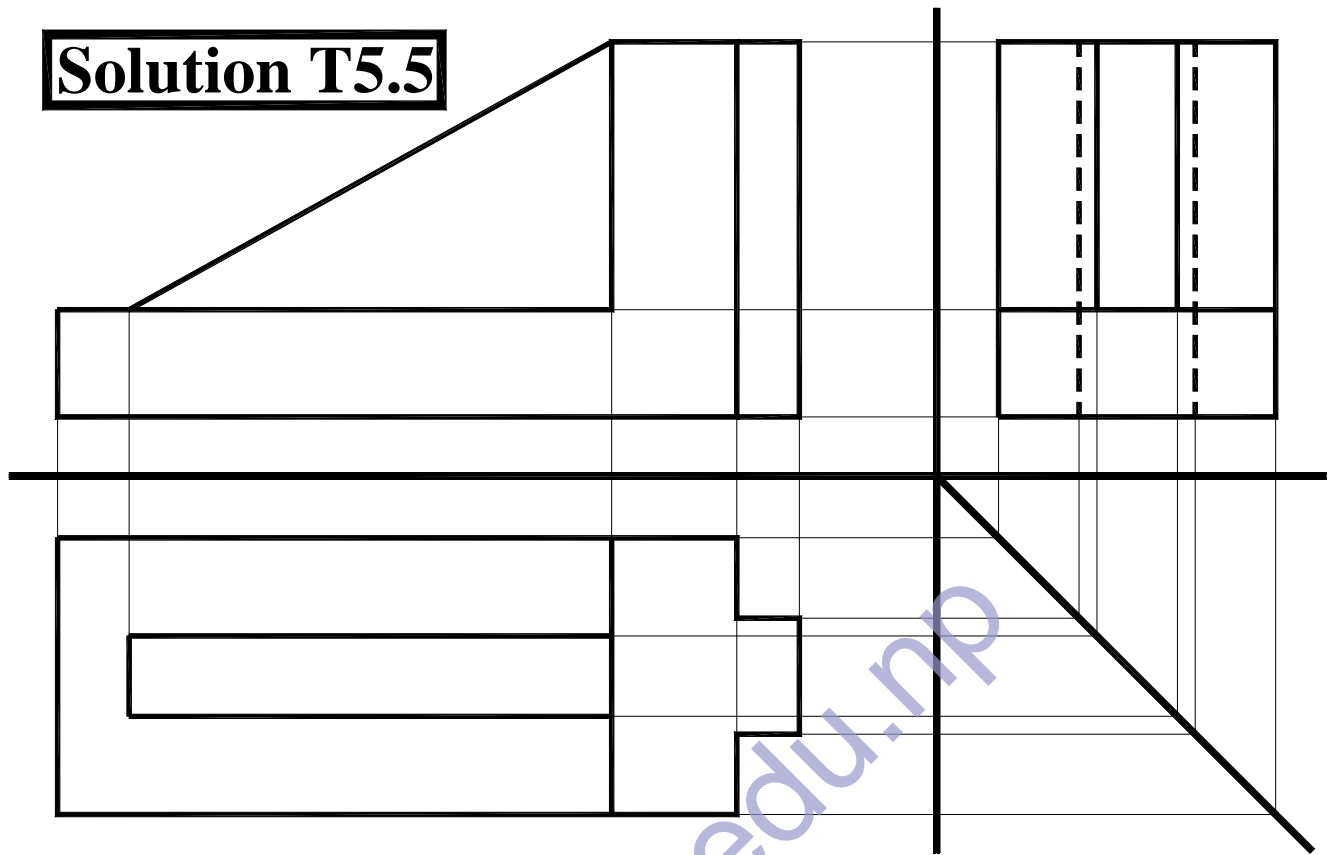
Solution T5.3



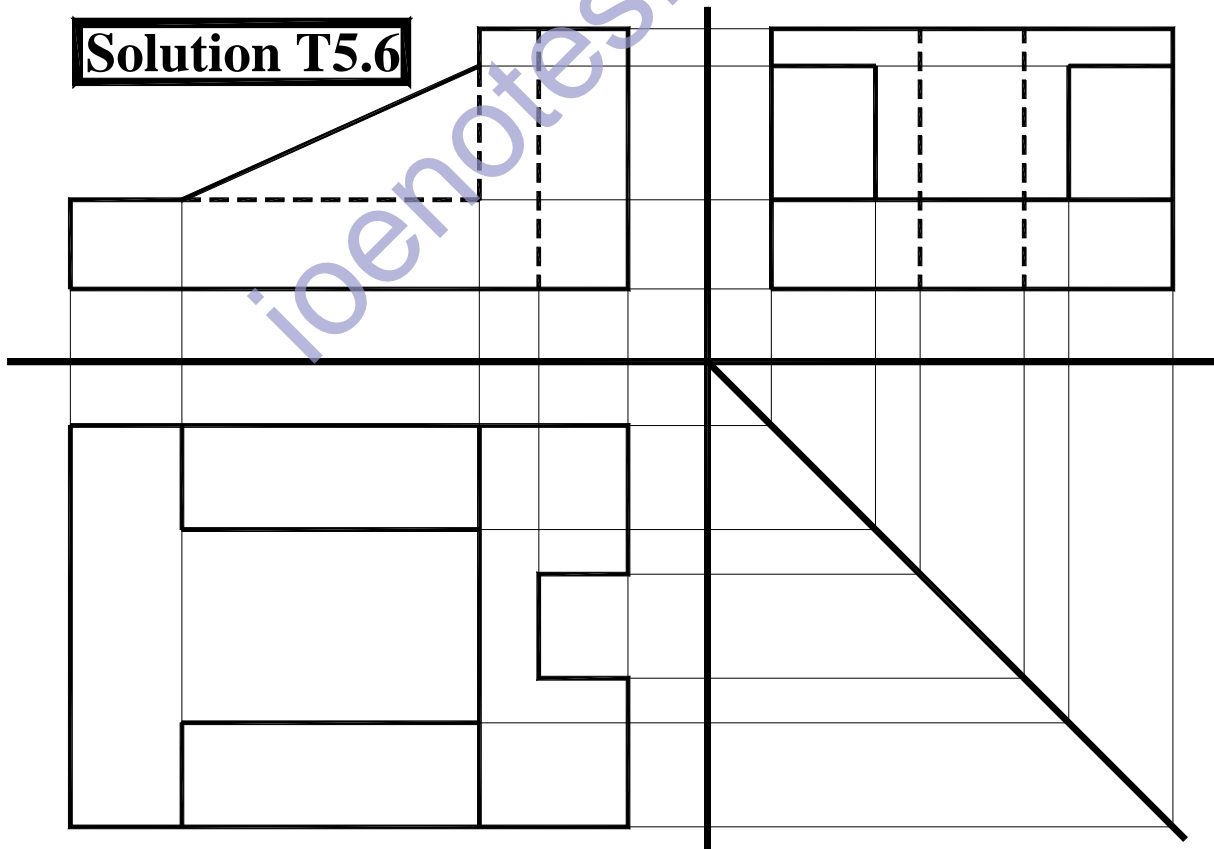
Solution T5.4



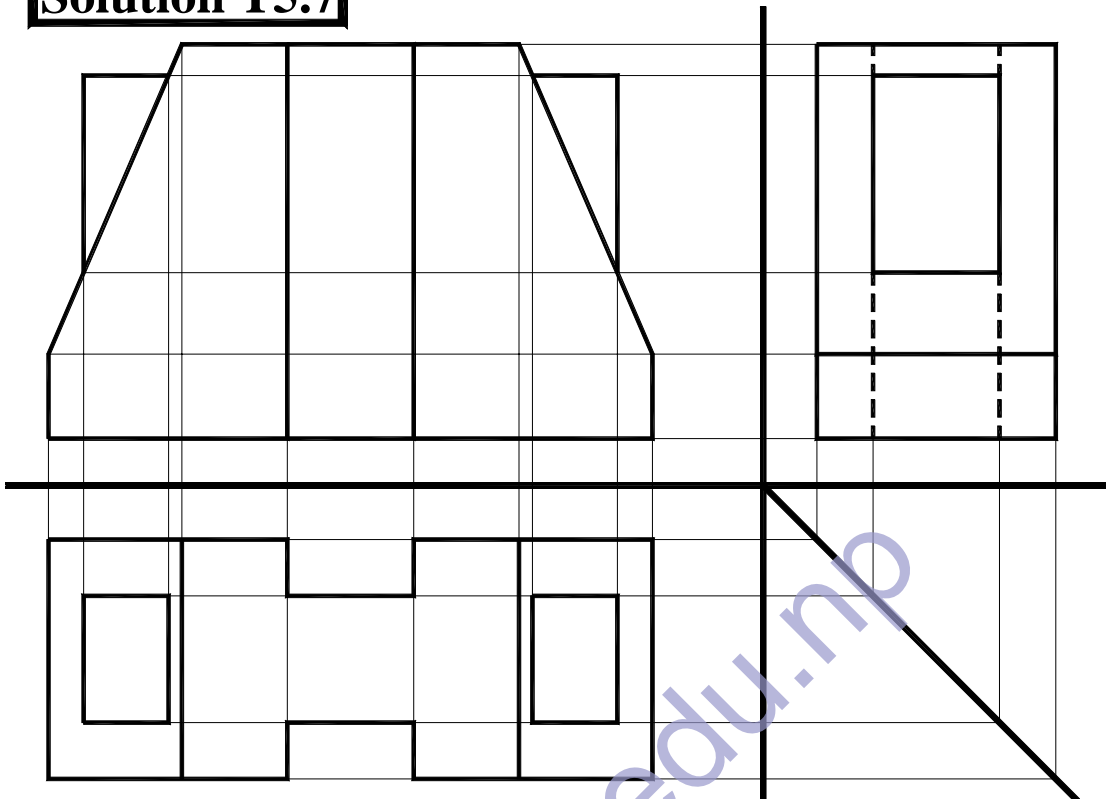
Solution T5.5



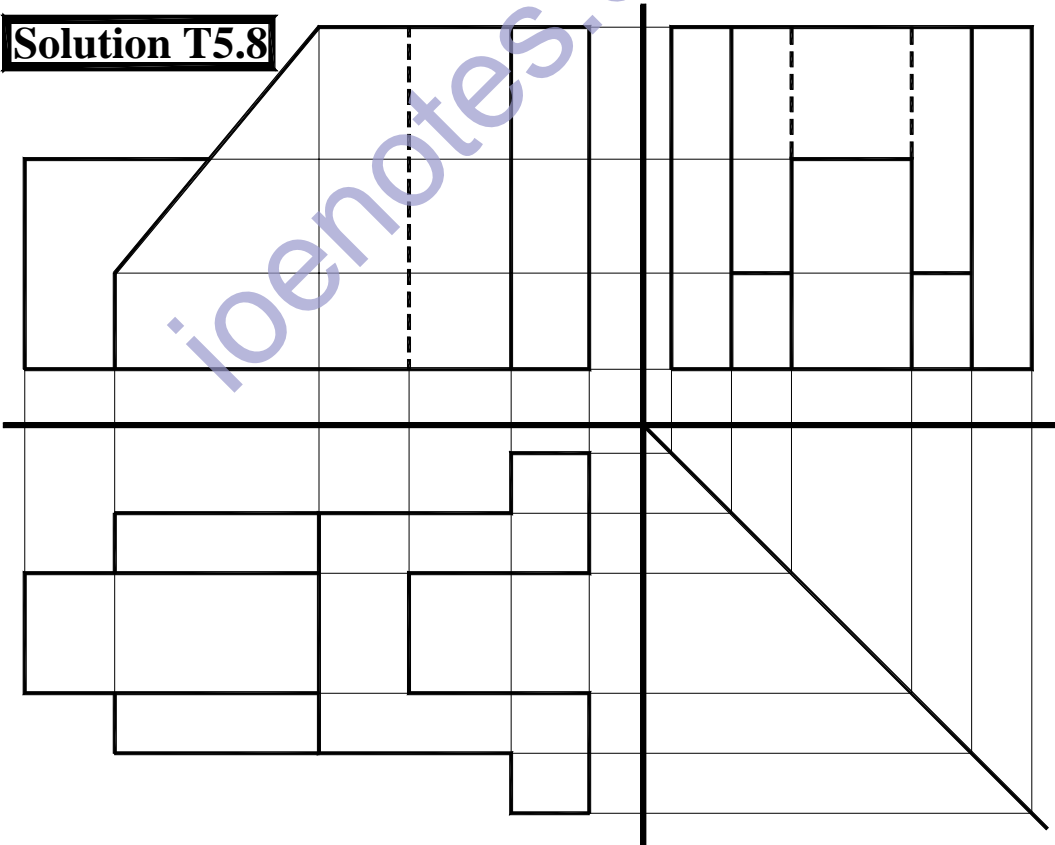
Solution T5.6



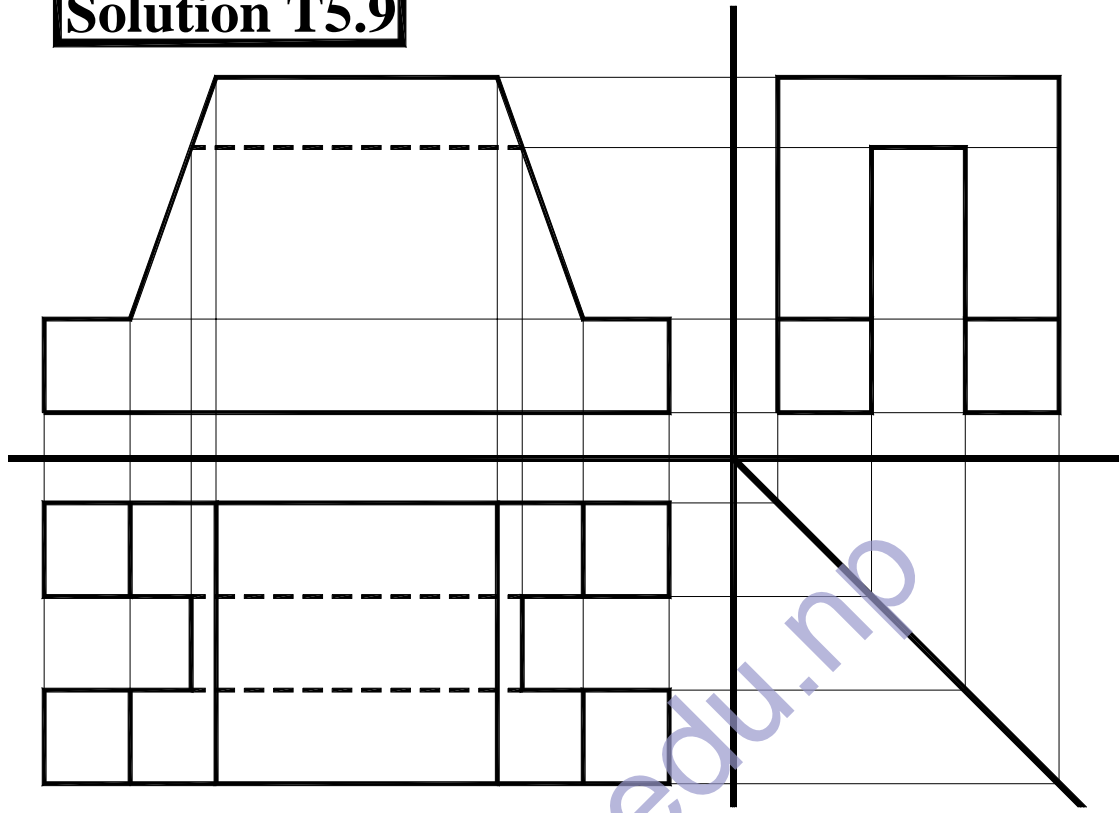
Solution T5.7



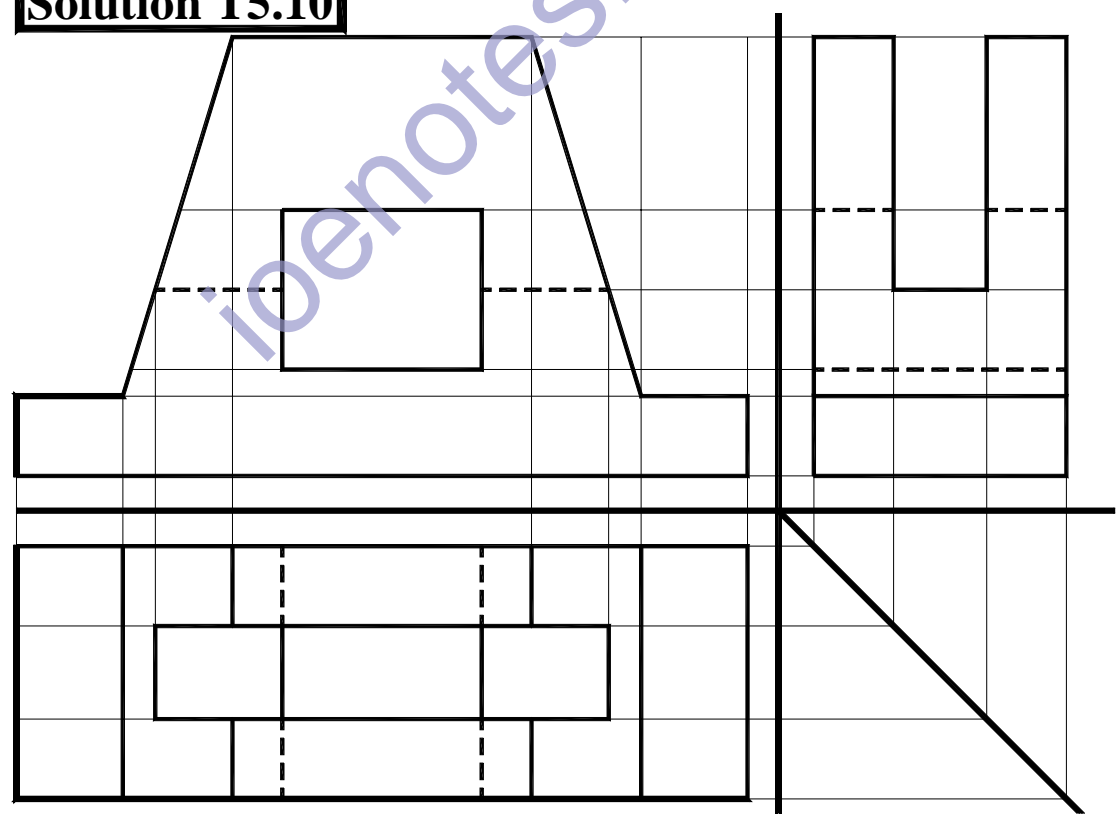
Solution T5.8



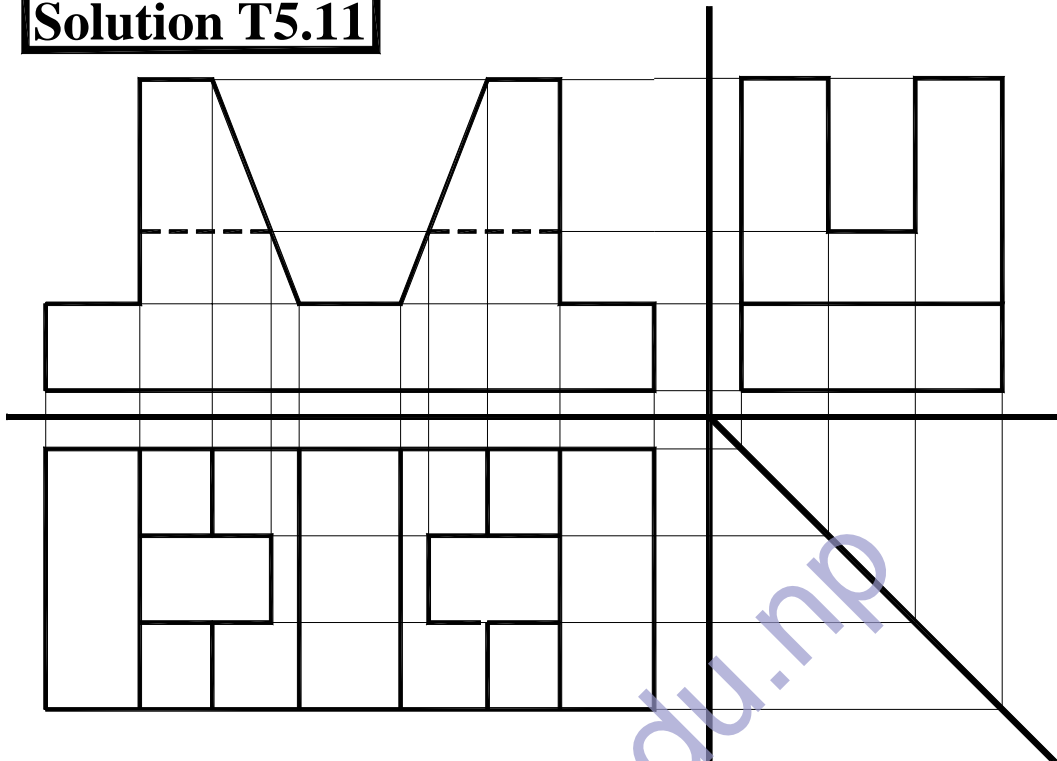
Solution T5.9



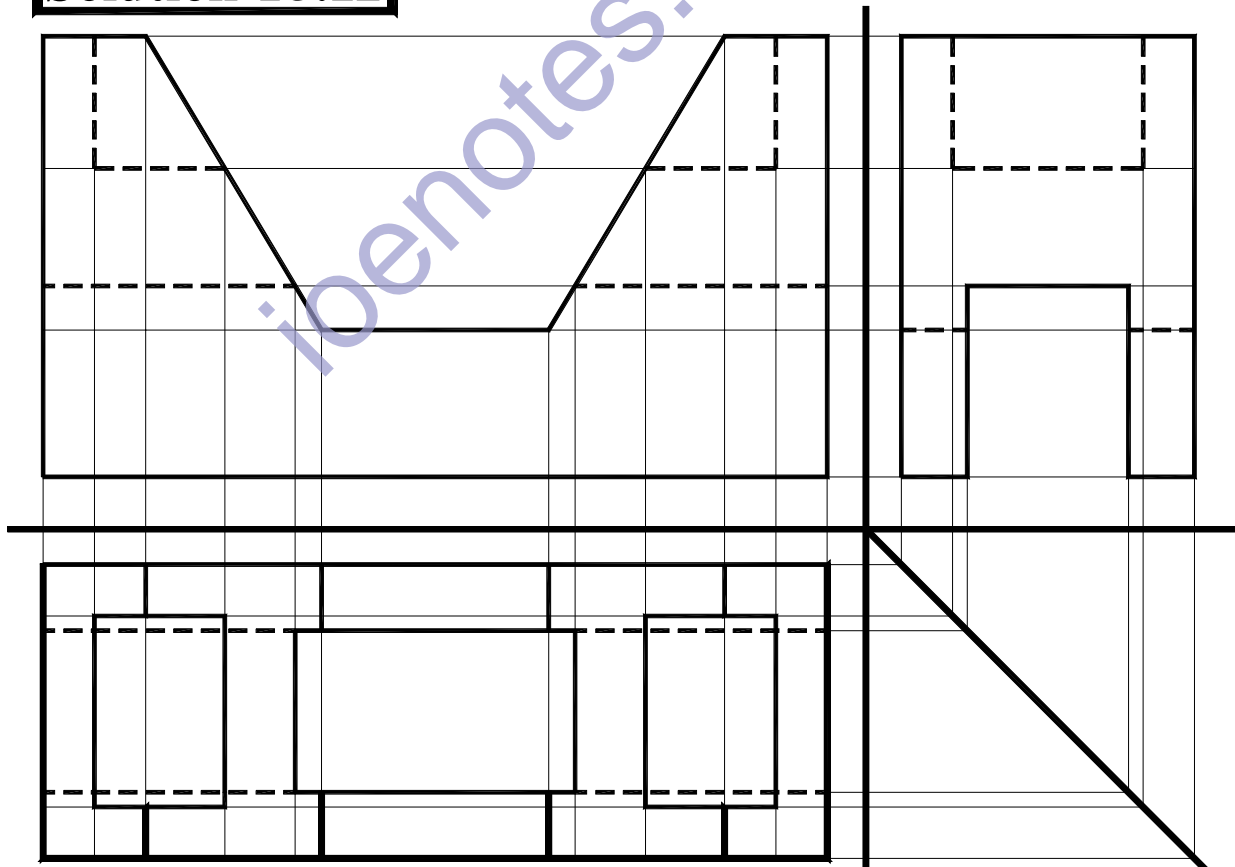
Solution T5.10



Solution T5.11

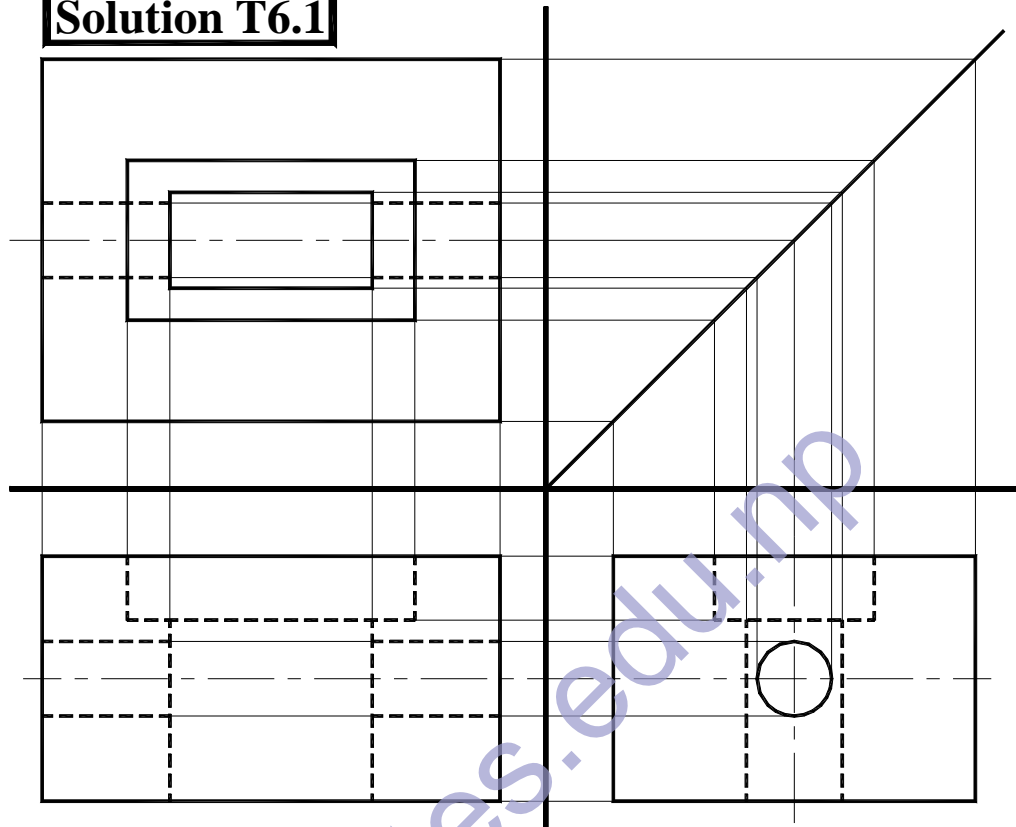


Solution T5.12

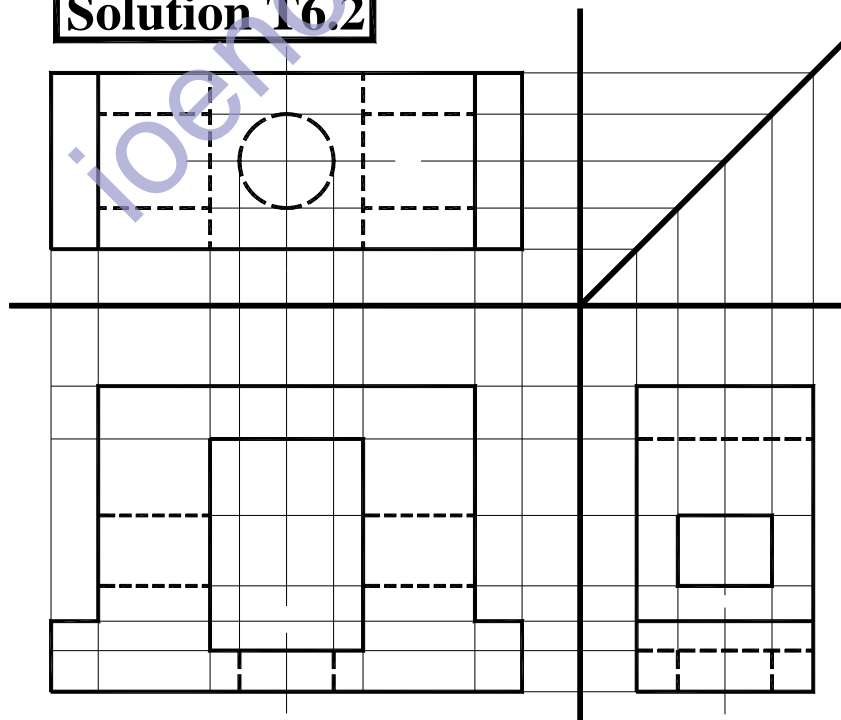


ENGINEERING DRAWING I
SOLUTION FOR TUTORIAL NO. 6

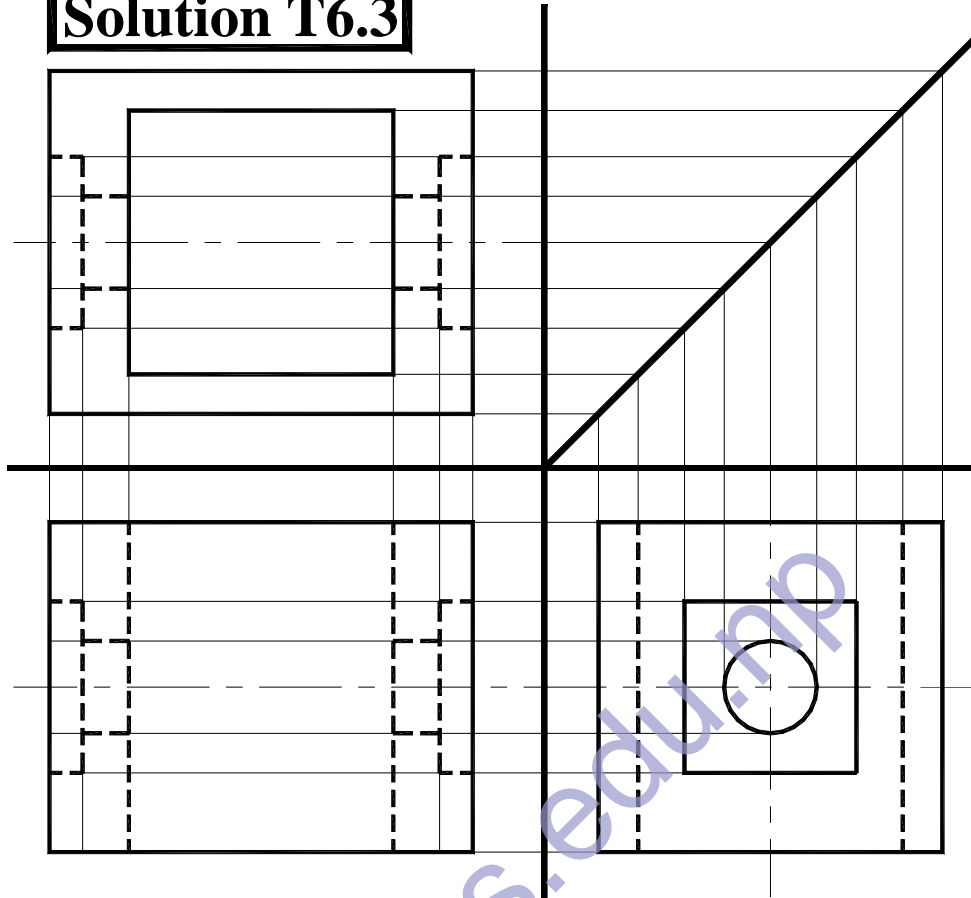
Solution T6.1



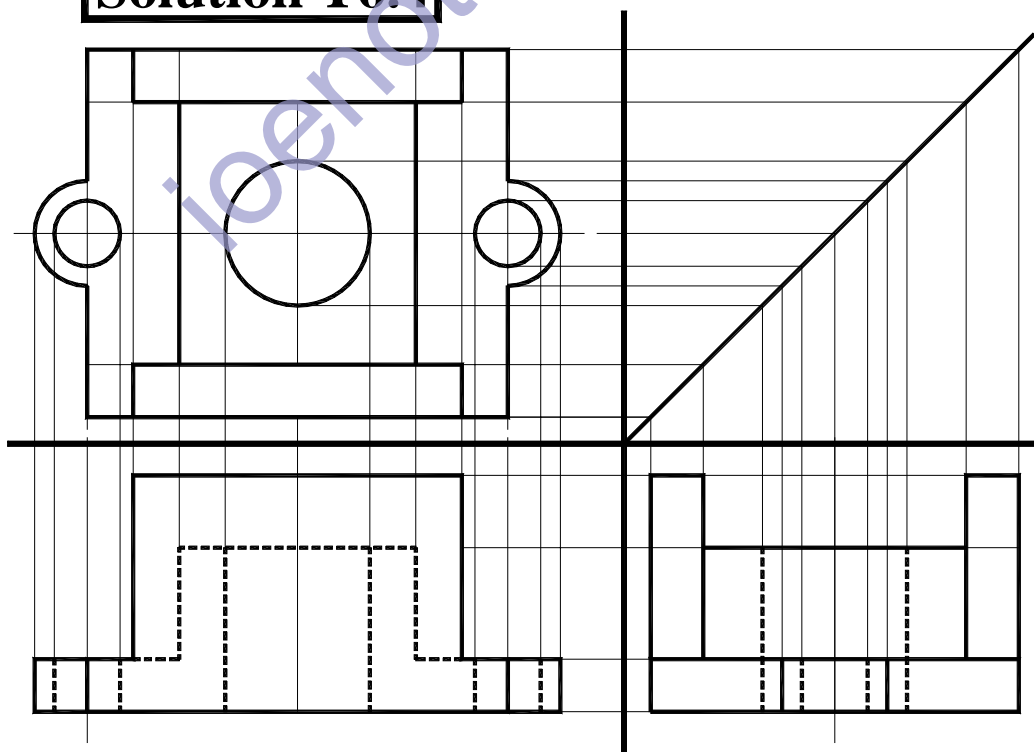
Solution T6.2



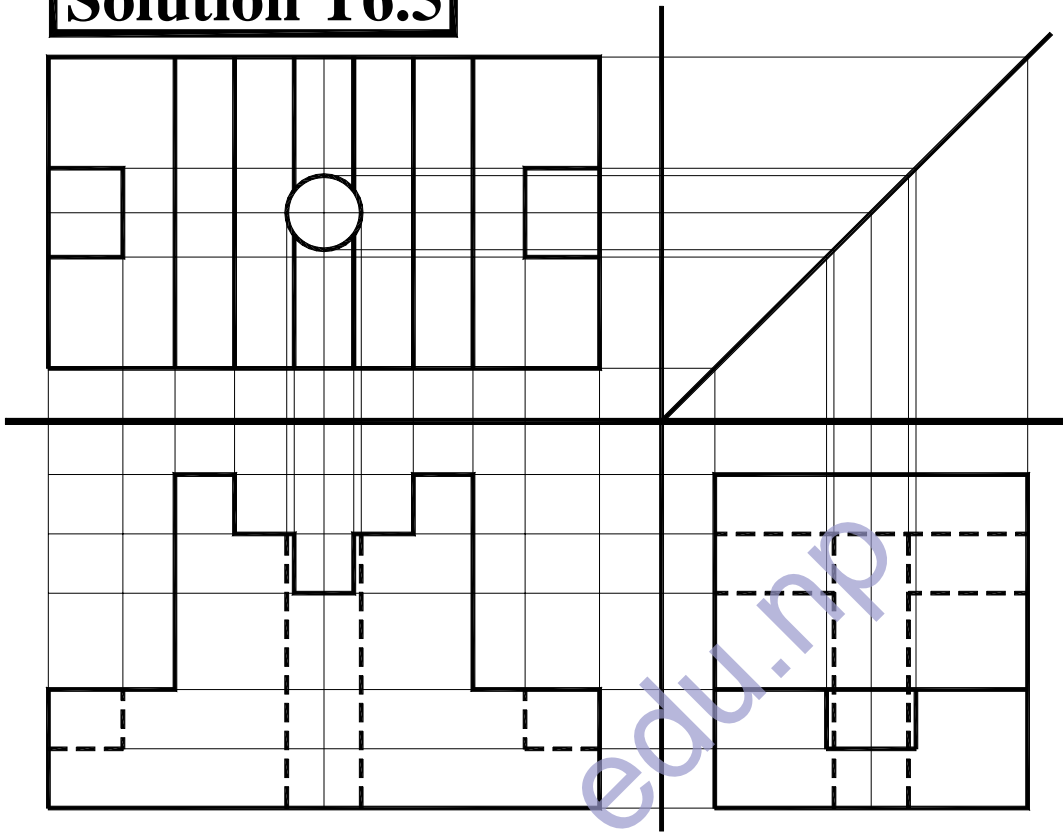
Solution T6.3



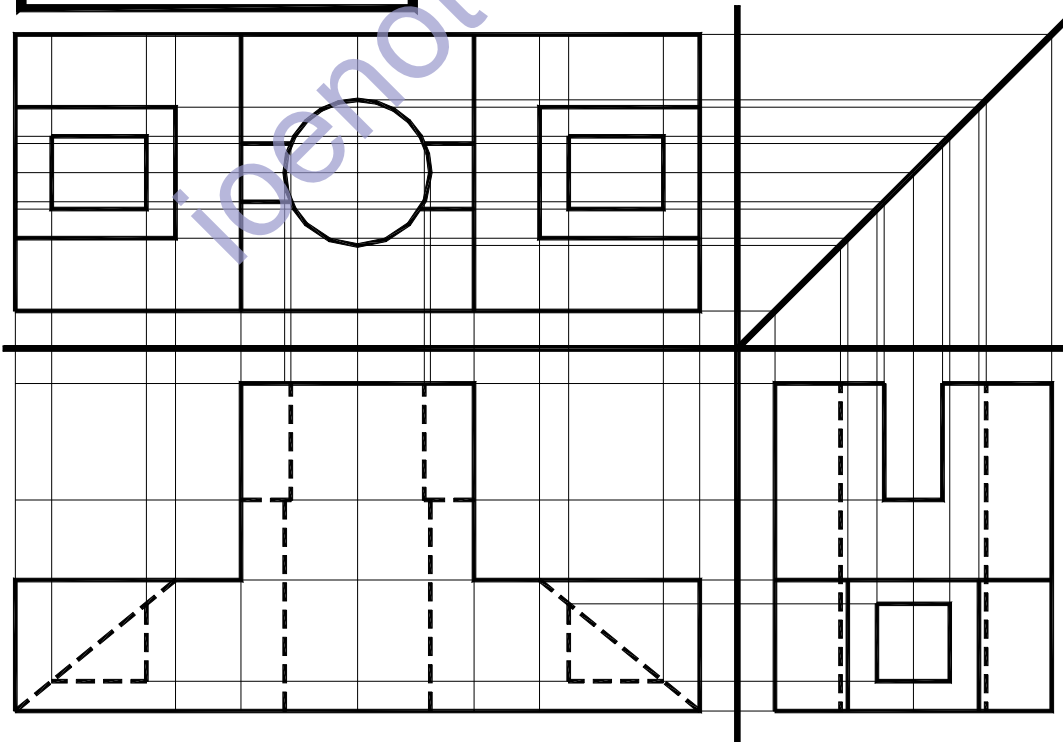
Solution T6.4



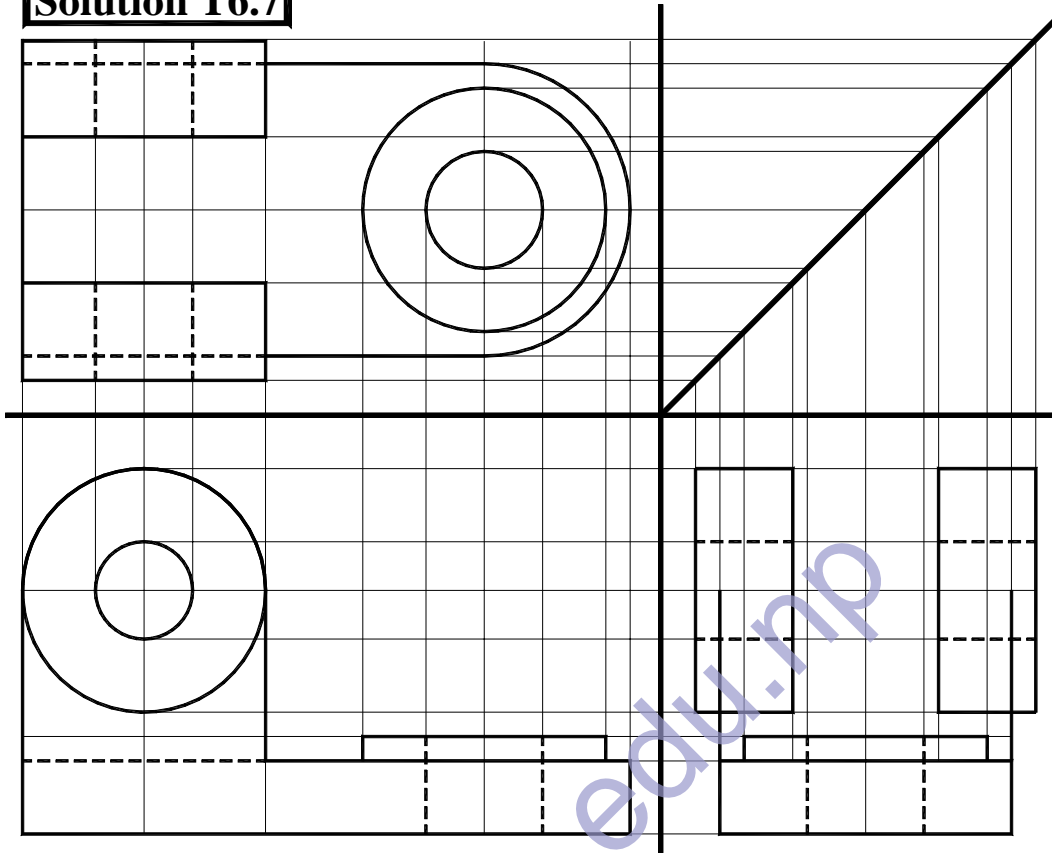
Solution T6.5



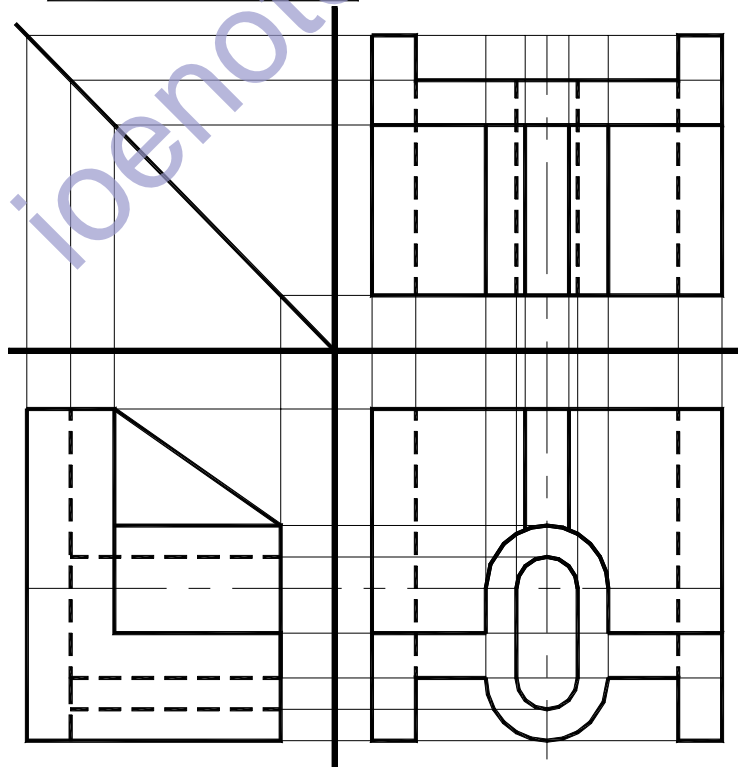
Solution T6.6



Solution T6.7

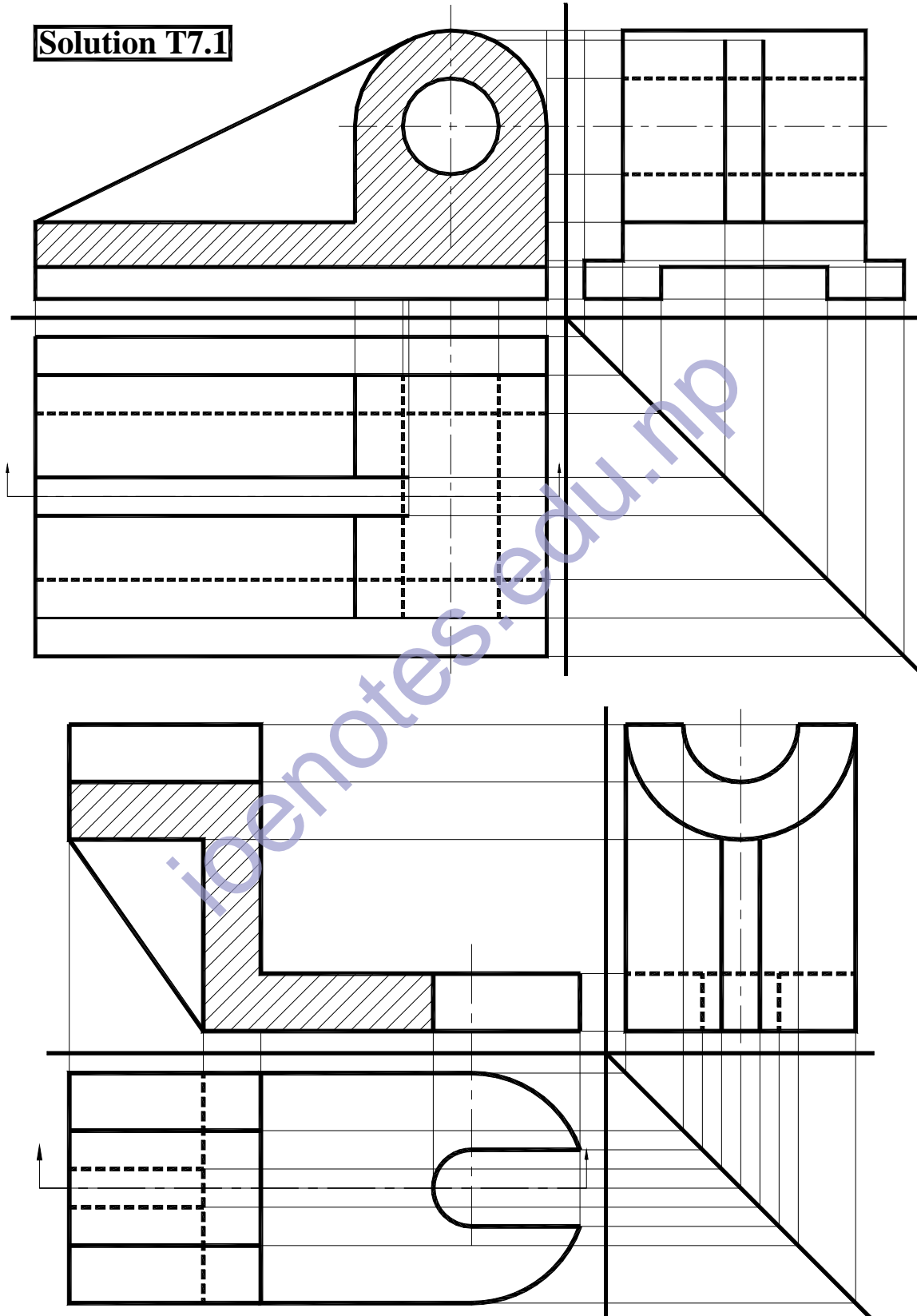


Solution T6.8

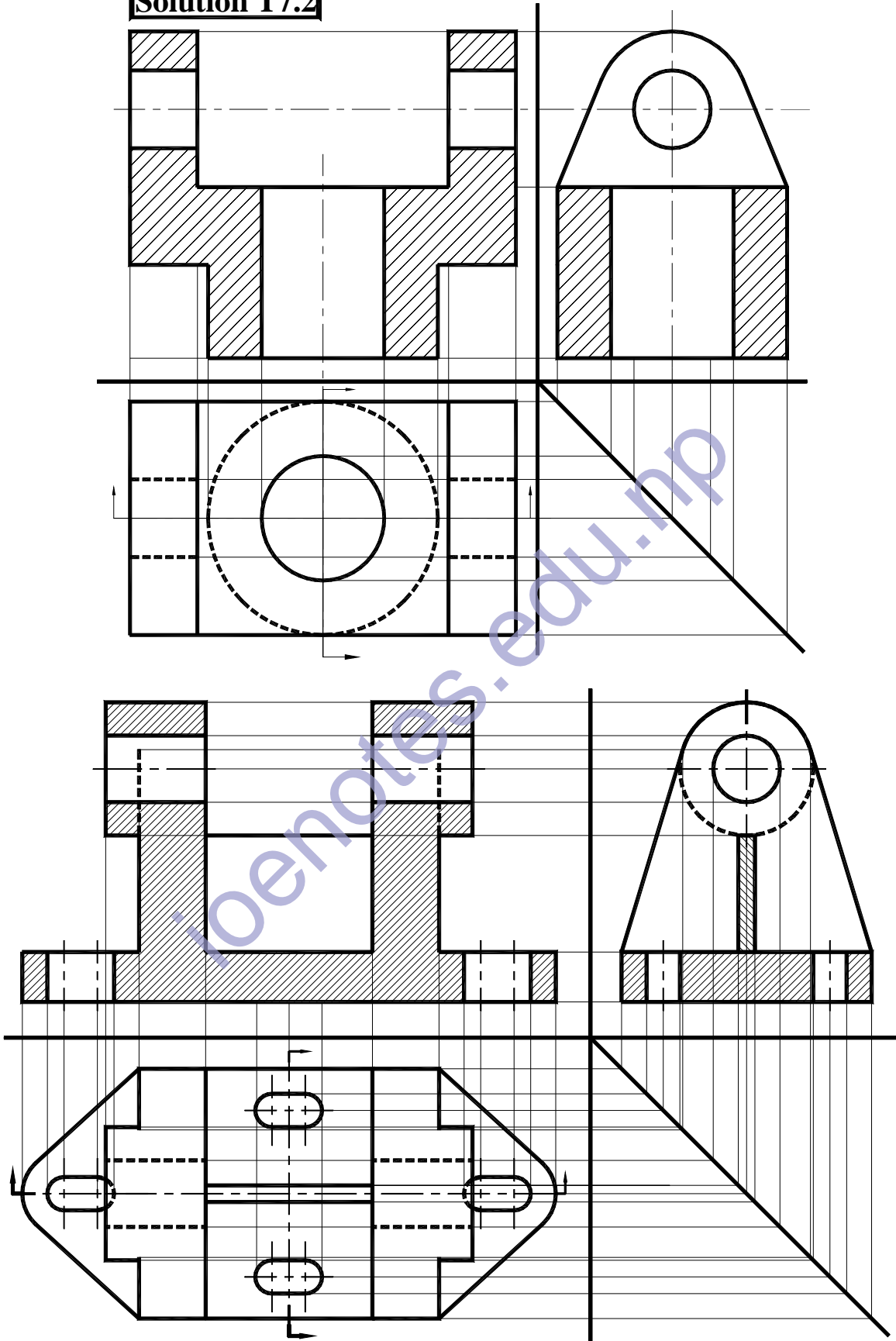


ENGINEERING DRAWING I
SOLUTION FOR TUTORIAL NO. 7

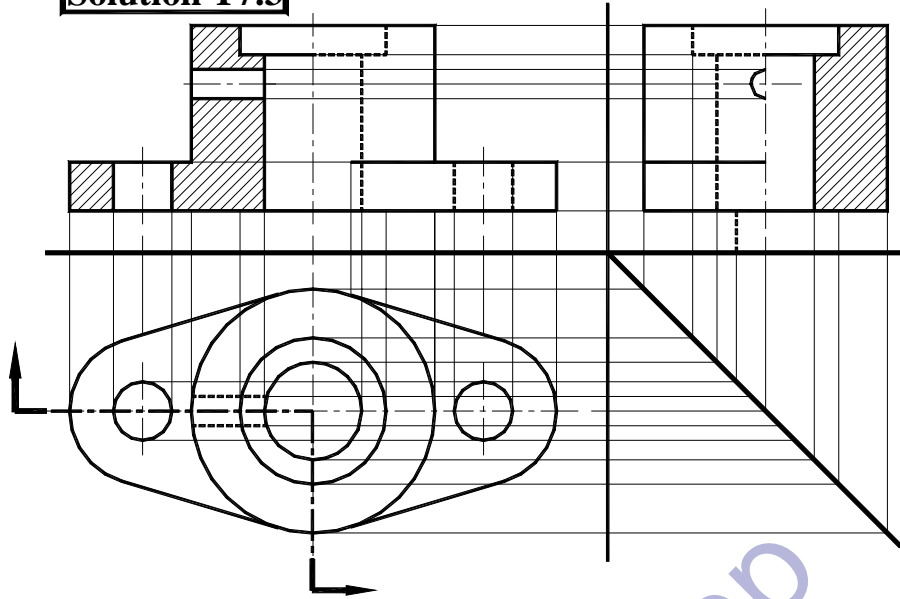
Solution T7.1



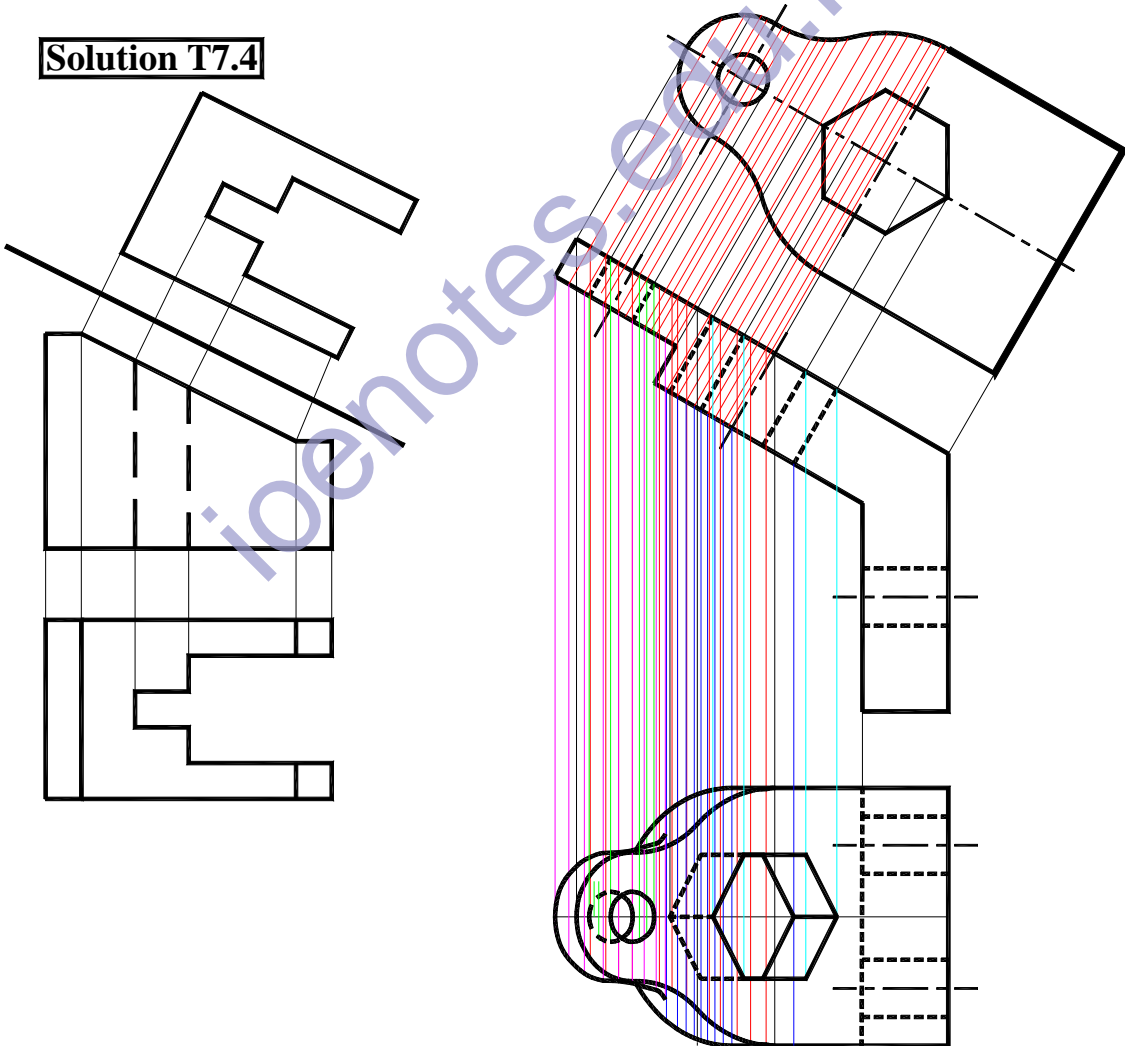
Solution T7.2



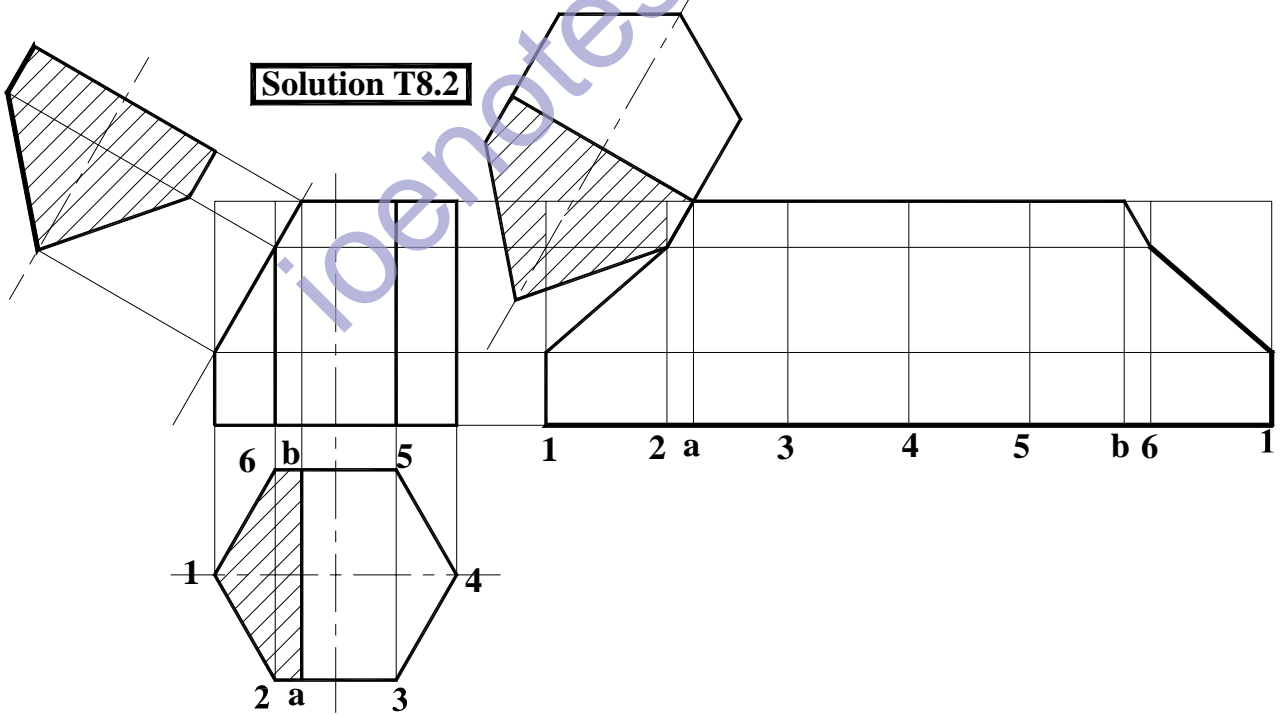
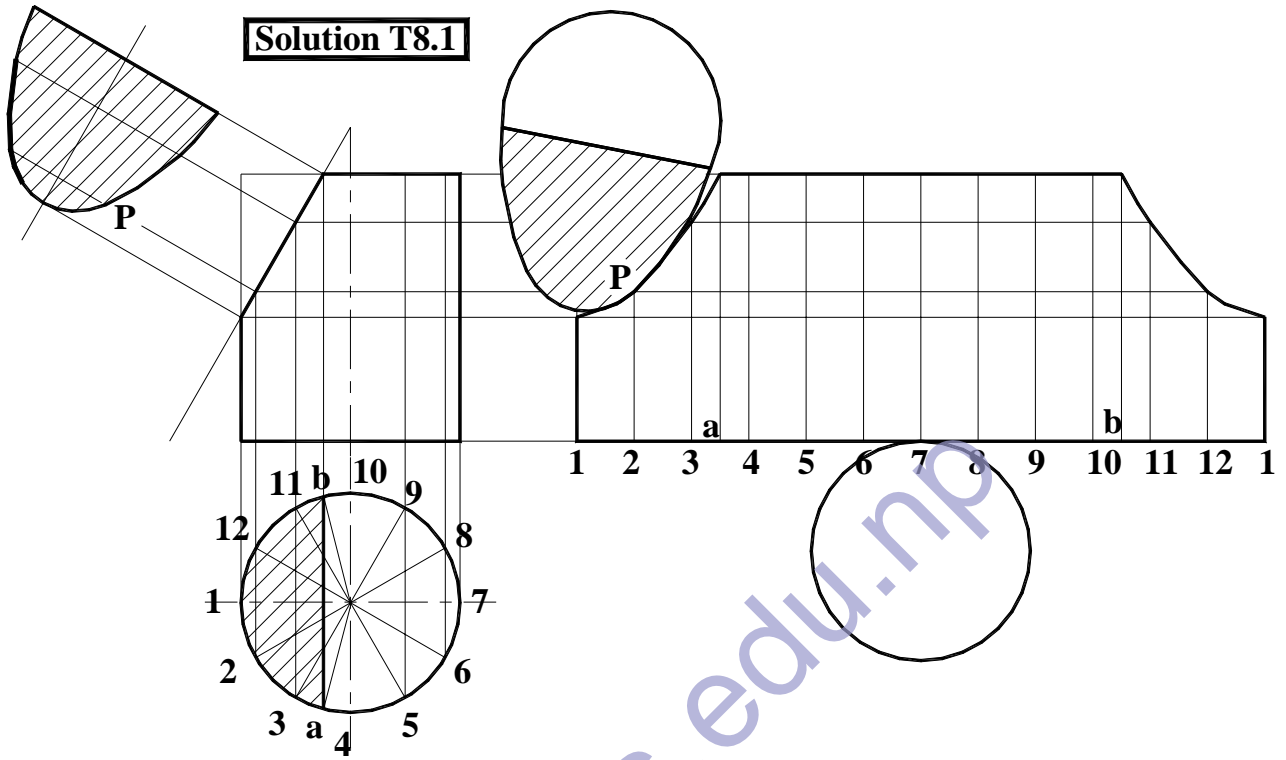
Solution T7.3

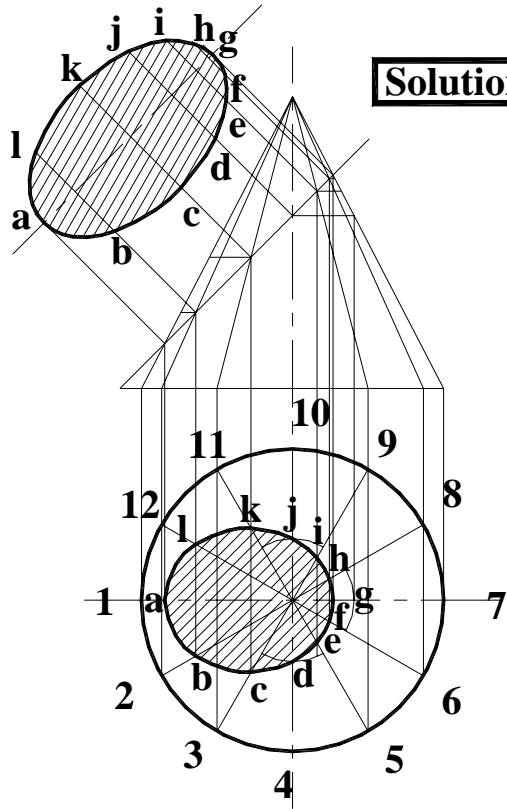


Solution T7.4

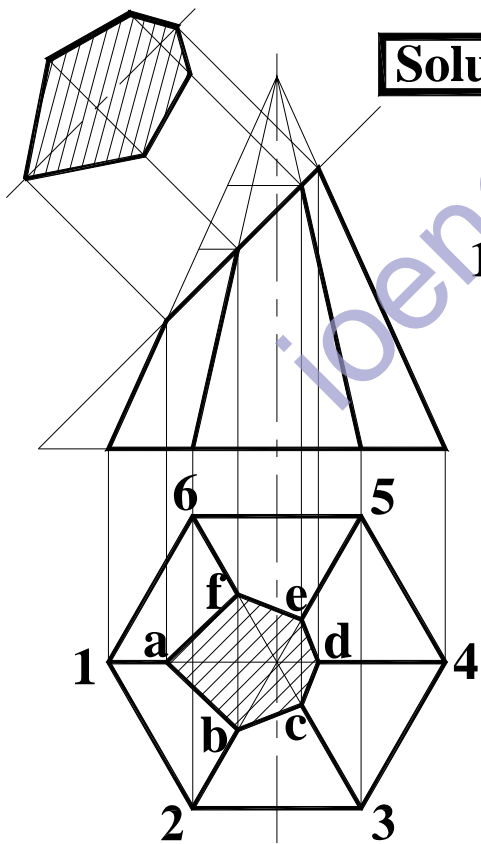
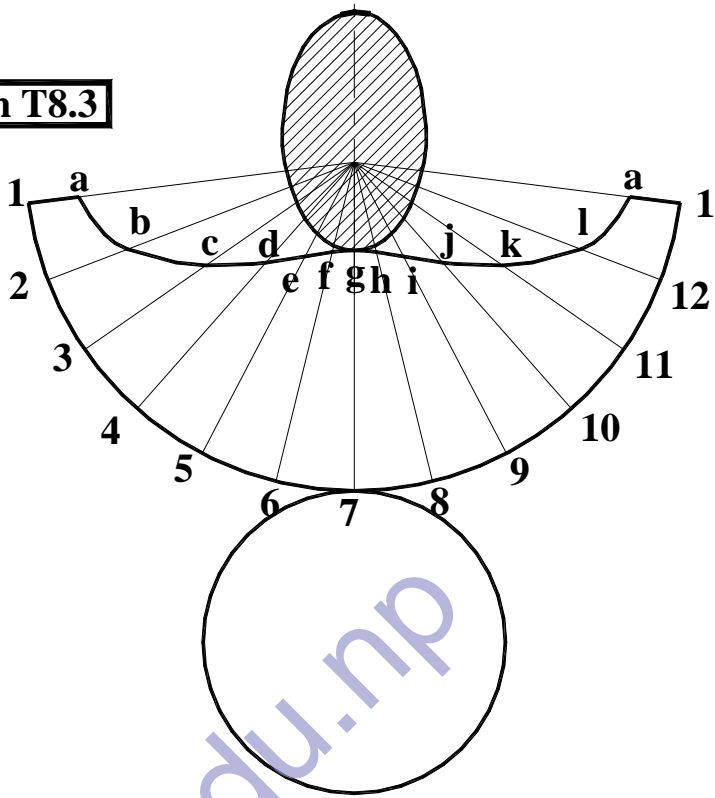


ENGINEERING DRAWING I
SOLUTION FOR TUTORIAL NO. 8

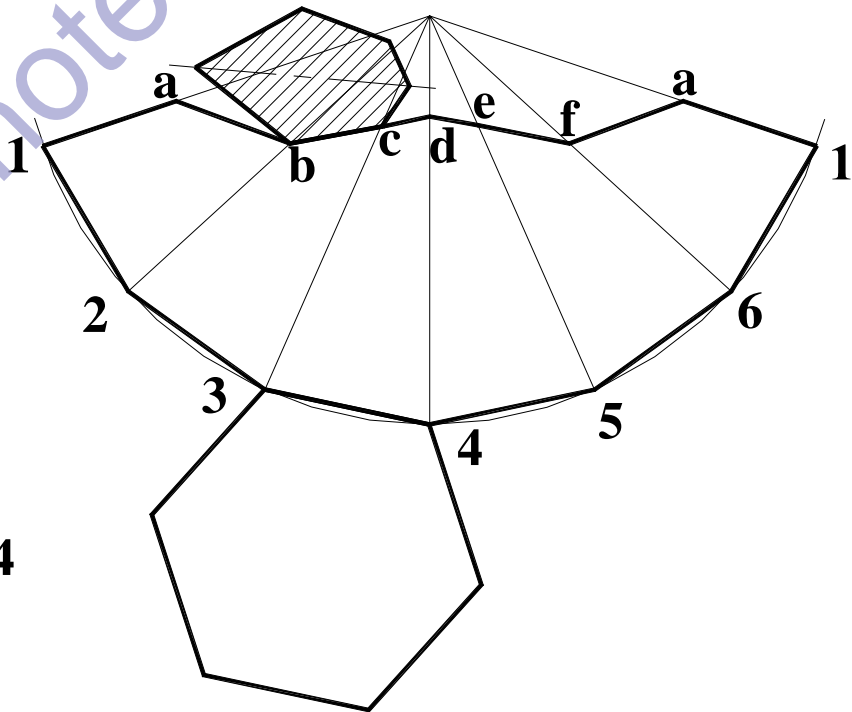


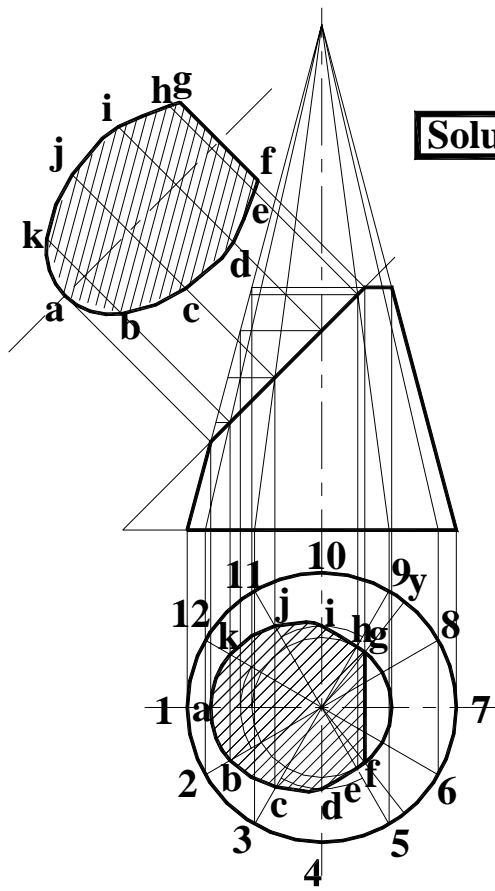


Solution T8.3

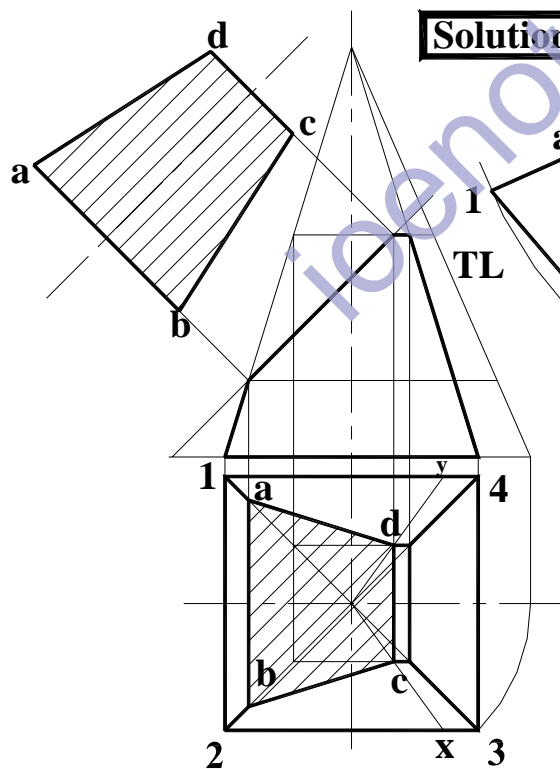
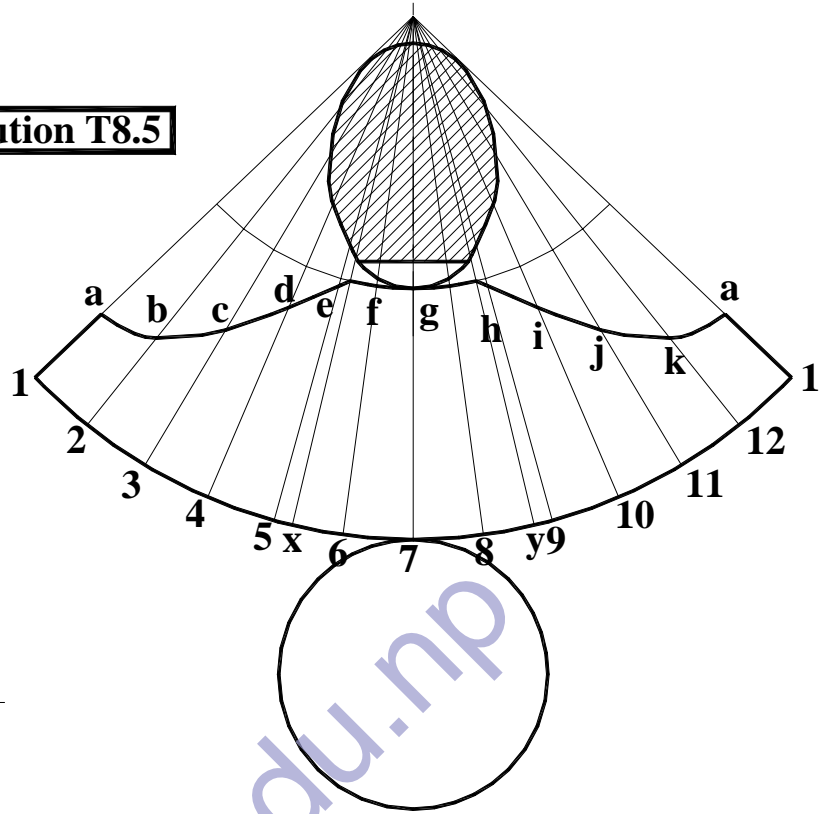


Solution T8.4

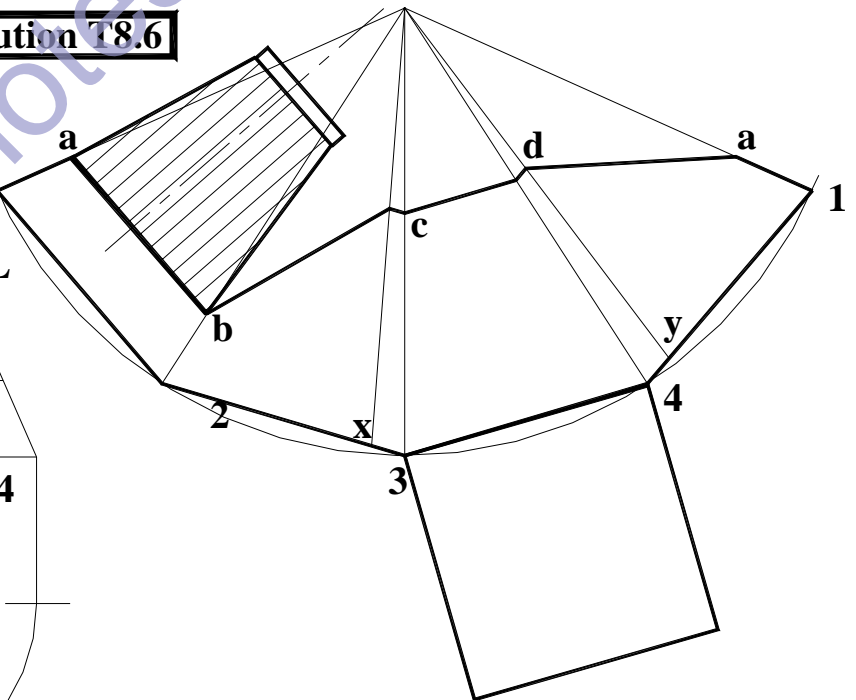




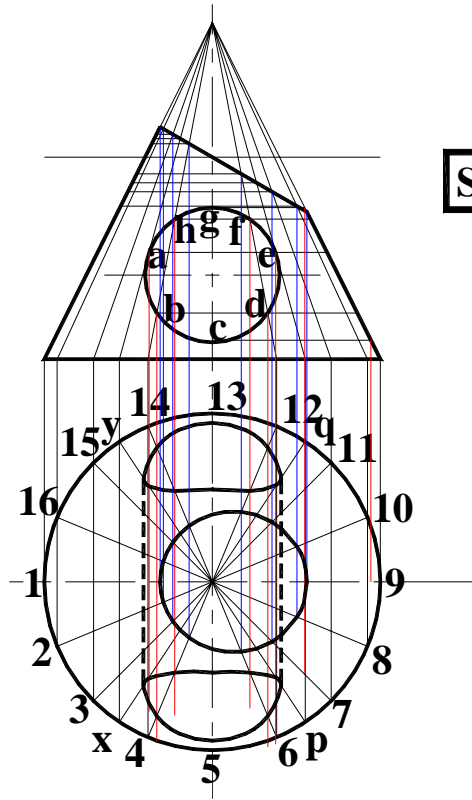
Solution T8.5



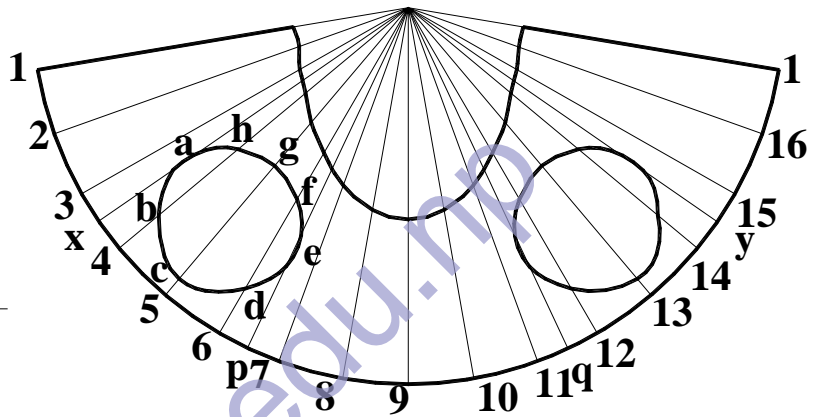
Solution T8.6

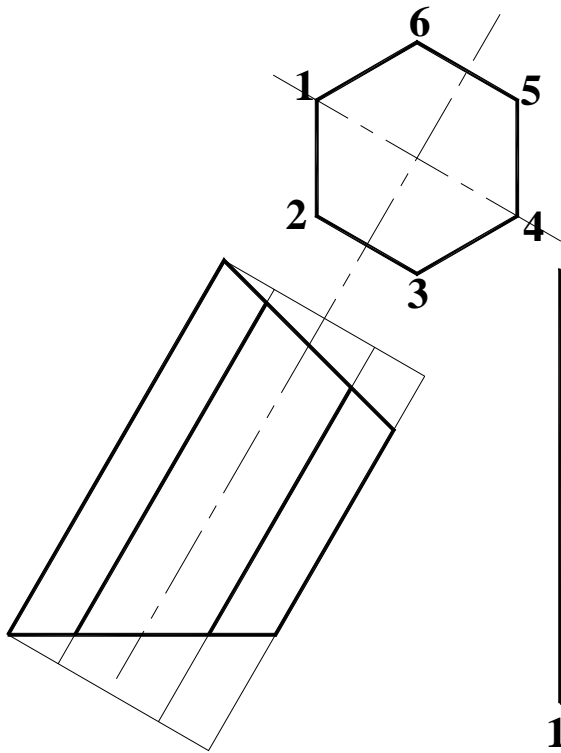


ENGINEERING DRAWING I
SOLUTION FOR TUTORIAL NO. 9

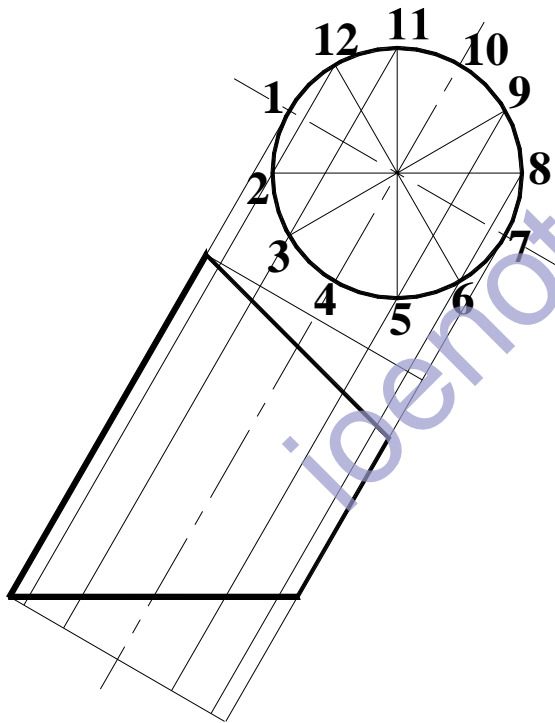
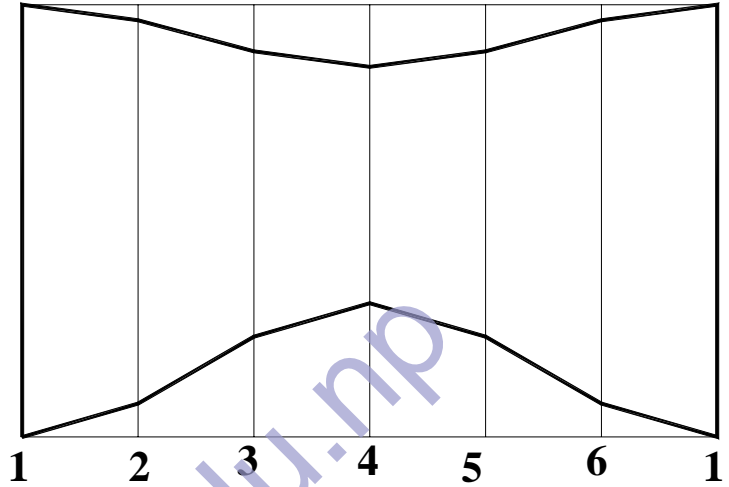


Solution T9.1

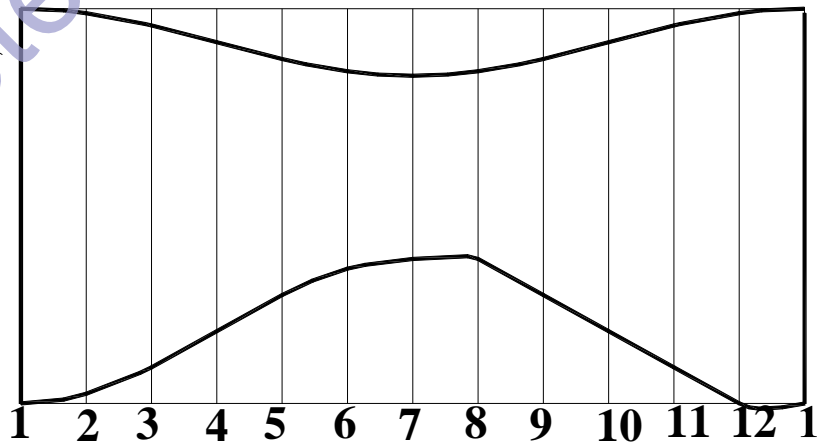




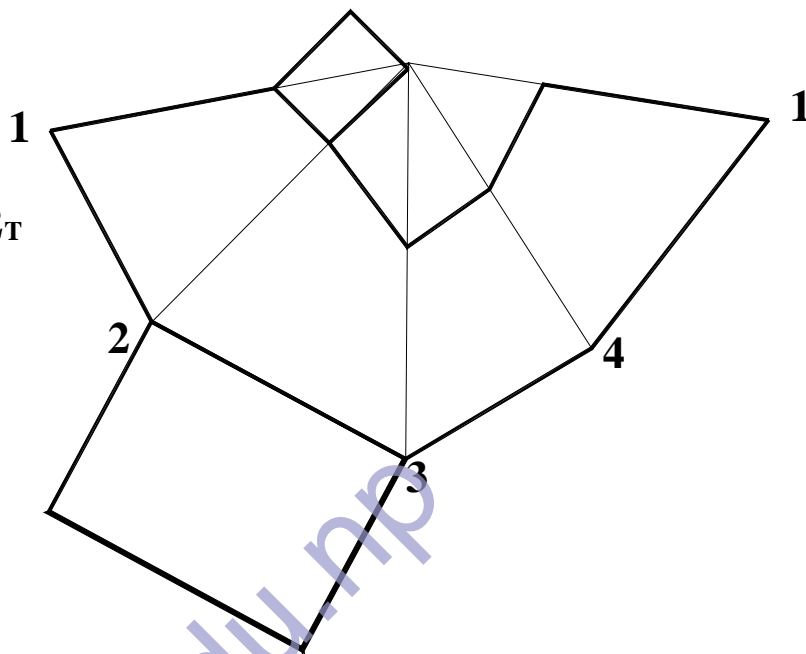
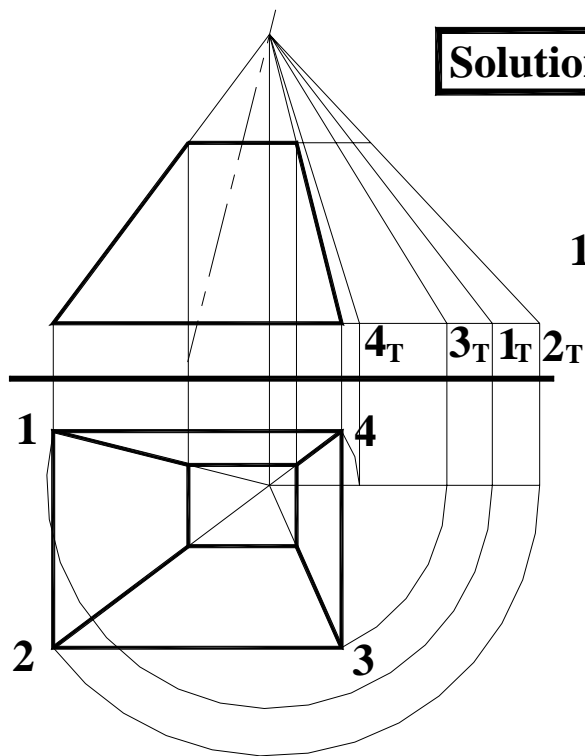
Solution T9.2



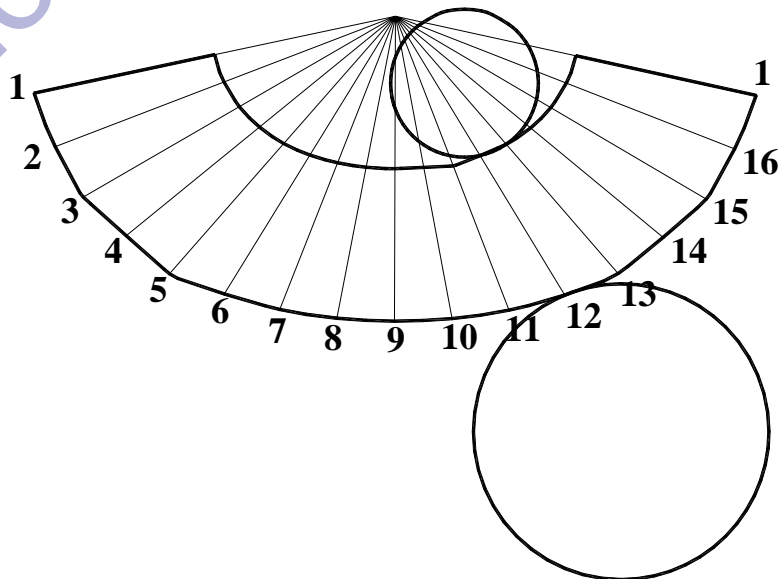
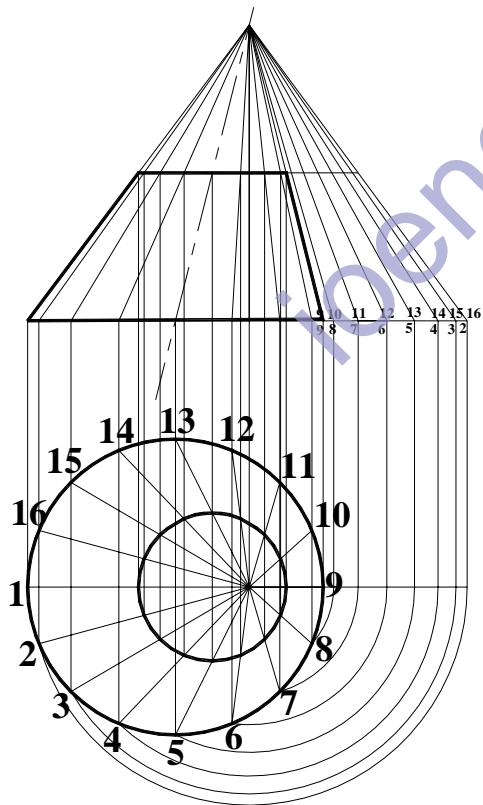
Solution T9.3

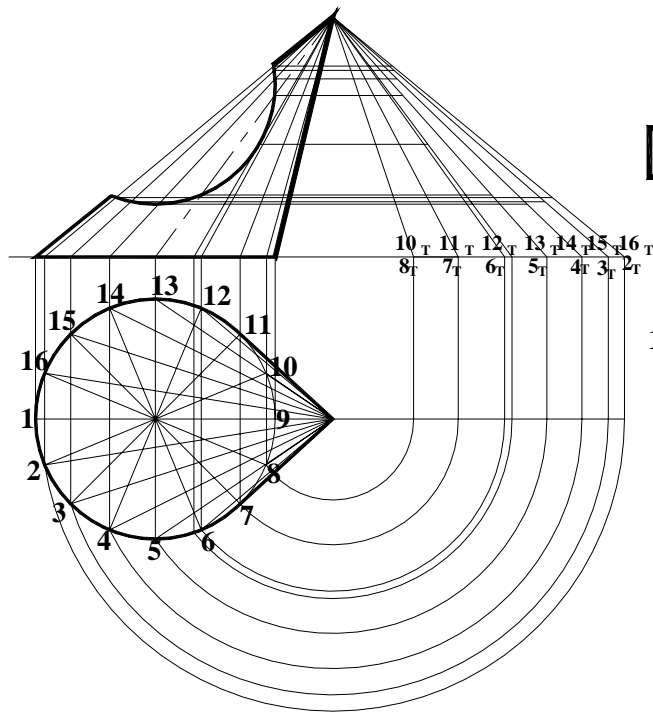


Solution T9.4

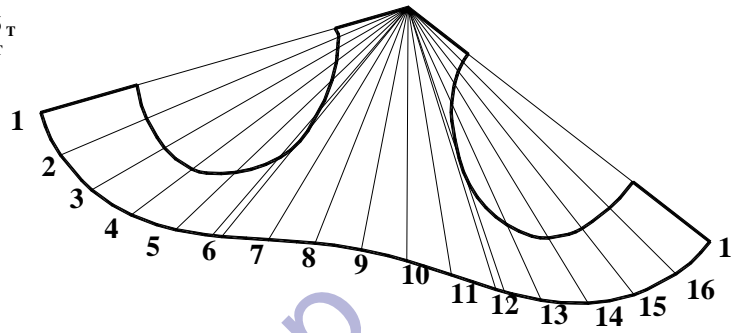


Solution T9.5





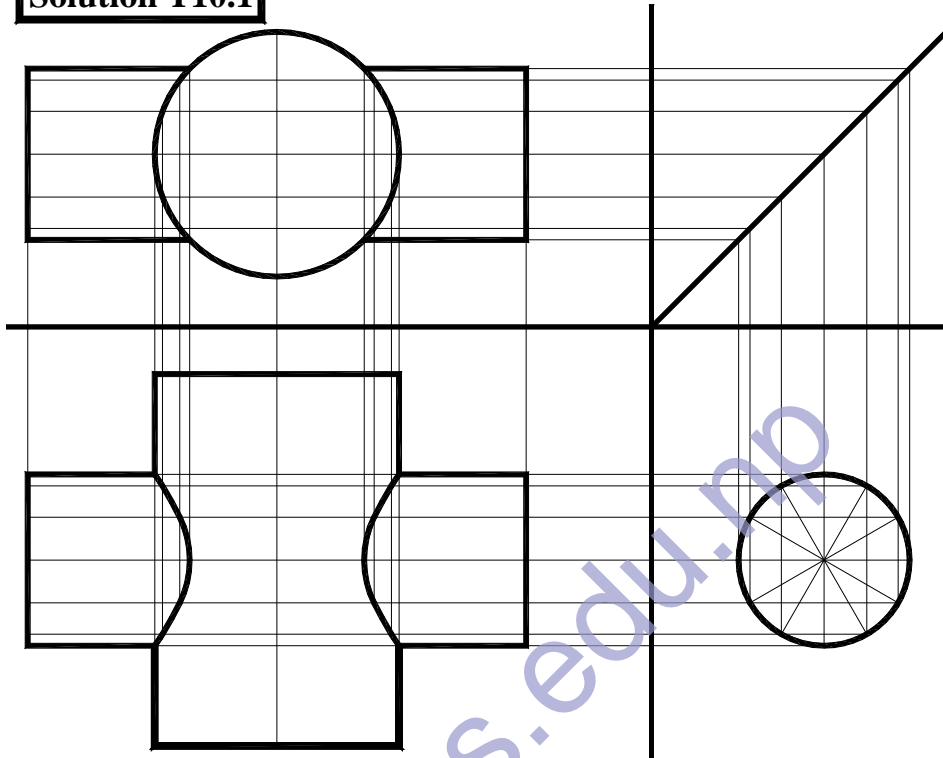
Solution T9.6



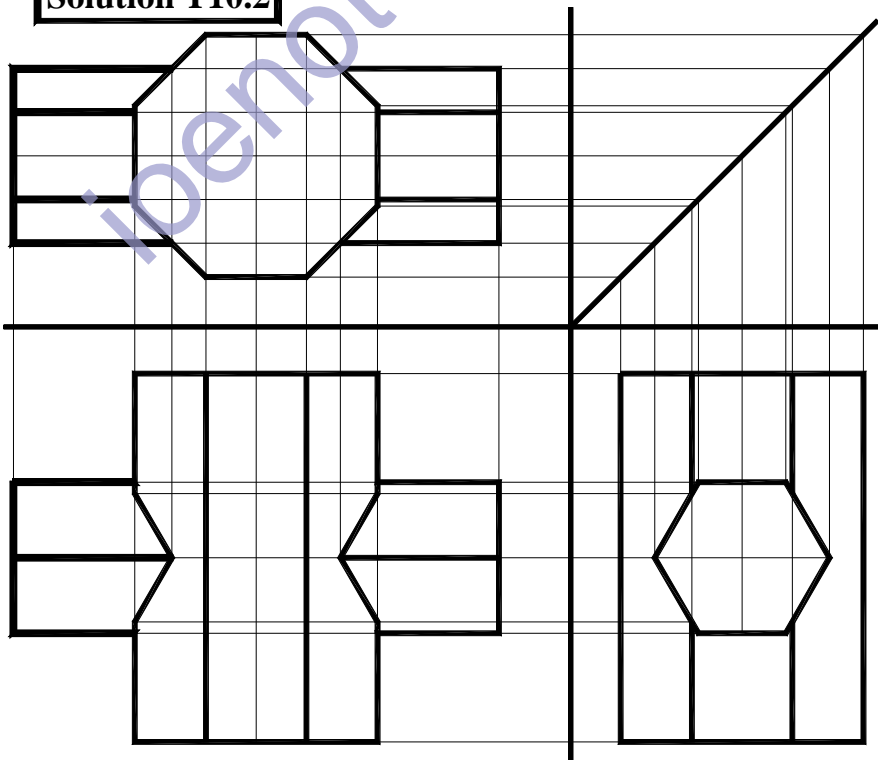
ioenotes.edu.np

ENGINEERING DRAWING I
SOLUTION FOR TUTORIAL NO. 10

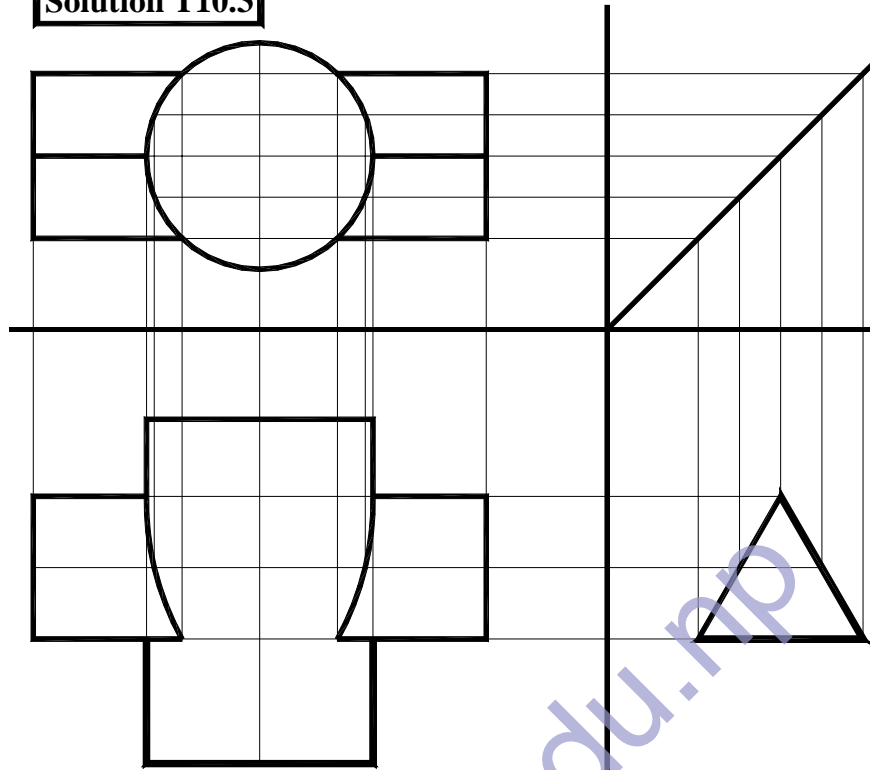
Solution T10.1



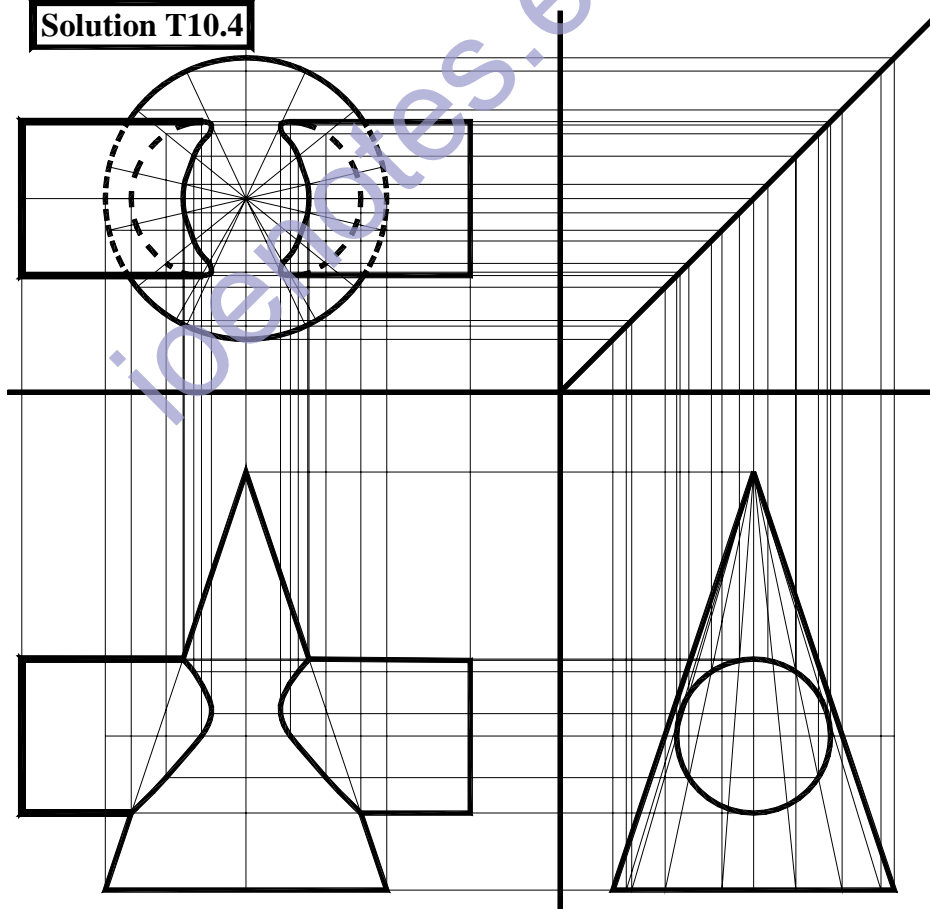
Solution T10.2



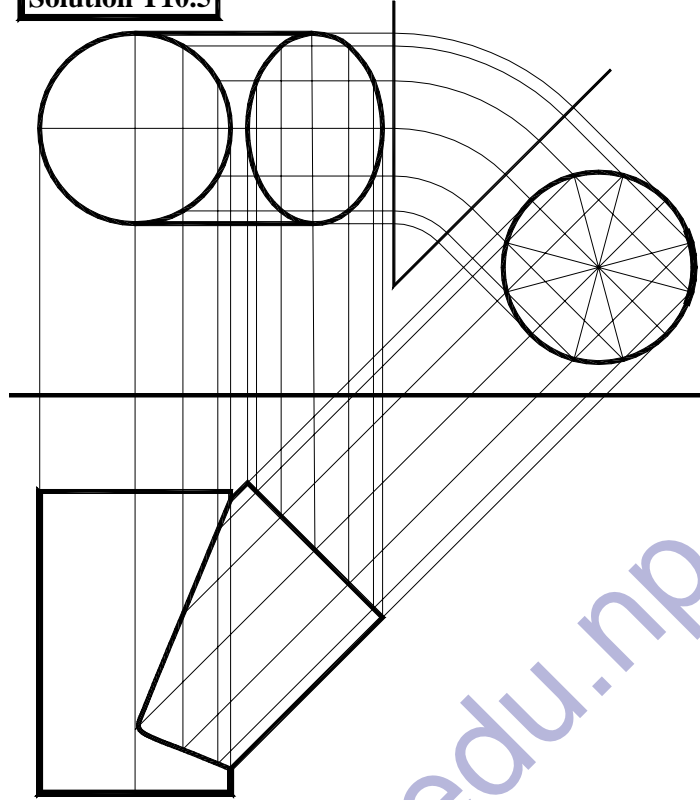
Solution T10.3



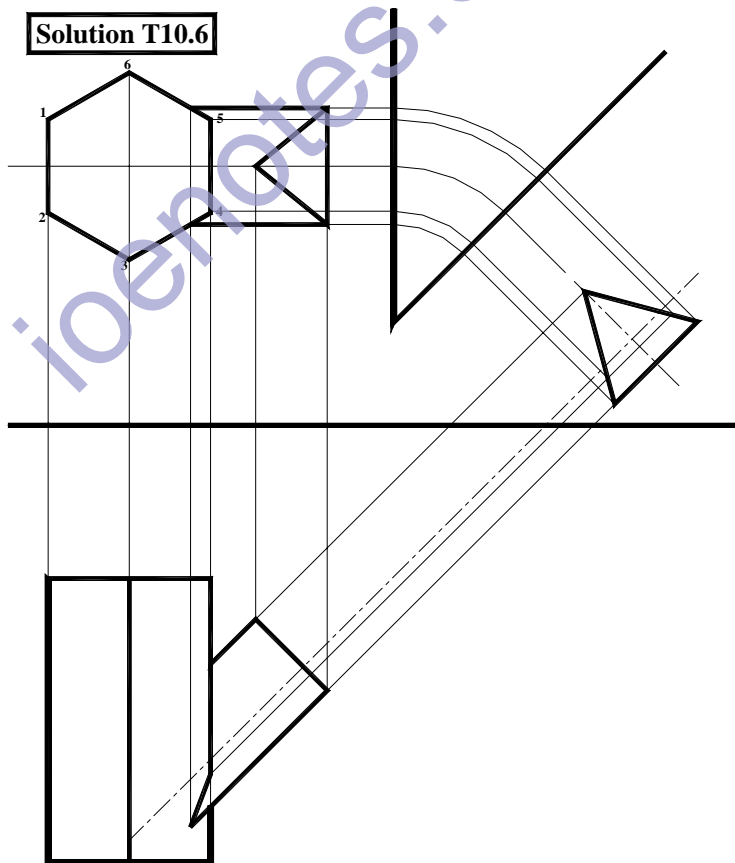
Solution T10.4



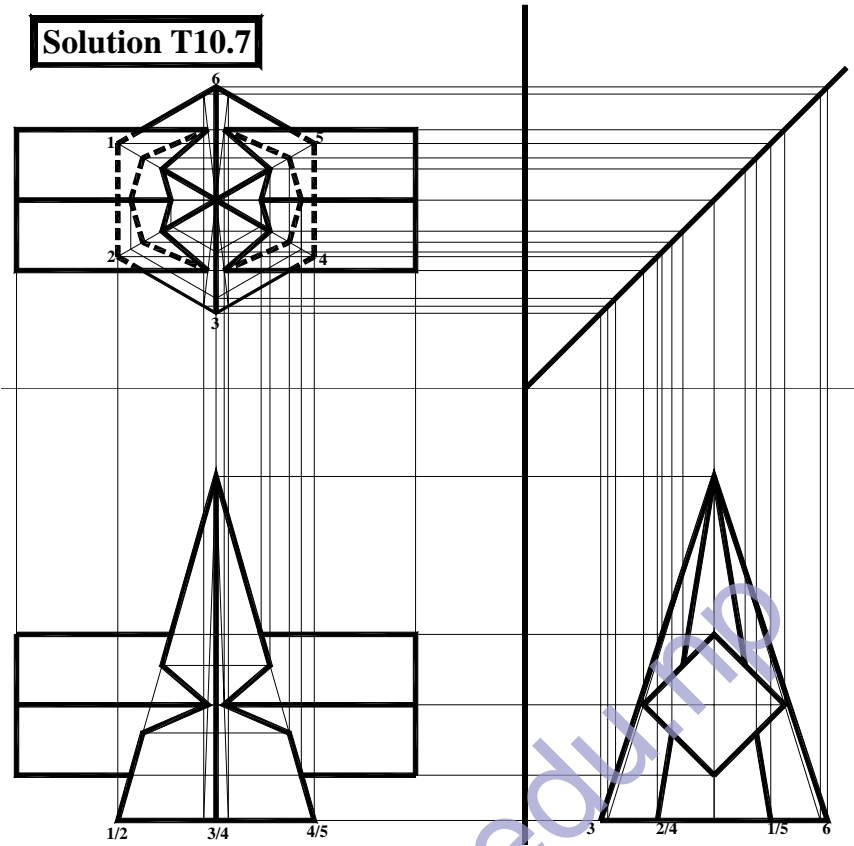
Solution T10.5



Solution T10.6



Solution T10.7



Solution T10.8

